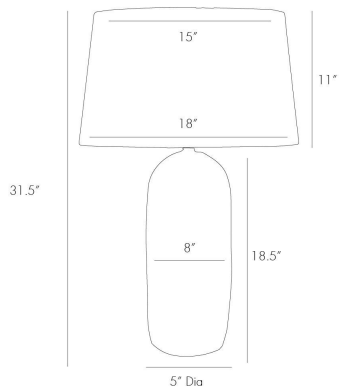


ARTERIOS

ANDERSON LAMP



42522-913
Antique Mercury, Glass

Aged mercury glass finish table lamp is topped with a tapered off-white silk shade with lining to match. 3-way switch.

APPEARANCE

Materials	Glass, Silk, Cotton
Finishes	Antique Mercury, Off-White, Off-White
Finish Will Vary	Yes
Top Coat/Sealant	No

DIMENSIONS

Overall	Dia: 18.0 in x H: 31 in
Foot Print	Dia: 5.0 in
Body	Dia: 8.0 in x H: 18.5 in
Finial	Dia: 1 in x H: 1.5 in
Shade Top	Dia: 15.0 in
Shade Side	H: 11 in
Shade Bottom	Dia: 18.0 in
Harp Size	H: 9 in
Neck	Dia: 1.0 in x H: 1 in

WIRING

Wire Rating	Indoor Only
Cord	8 FT, Clear/Silver, SPT-2
Socket	1, Type A- E26, 3-Way
Suggested Bulb Type	A19
Switch	At Socket, 3-Way Rotary
Maximum Wattage	150.0
Voltage	110-120 V

CERTIFICATIONS & COMPLIANCY

Certifications	Middle East, European Union, United Kingdom, Australia, Mexico, United States, Canada
Compliance	RoHS, UL/ETL, CB

SHIPPING

Product Weight	8.0 lbs
Gross Weight 1	11.4 lbs
Gross Weight 2	5 lbs
Shipping Box 1	W: 20.0 in x D: 20.0 in x H: 39 in
Shipping Box 2	W: 20.0 in x D: 20.0 in x H: 13.0 in

CONTRACT

Contract Suitability	Contract Suitable As Is
Tilt Test Degrees	10 Degrees