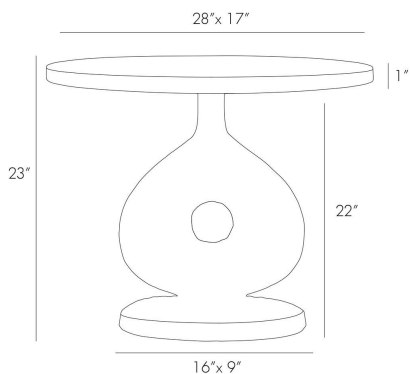


# ARTERIOS

## SETH END TABLE



2602  
Antique Bronze, Aluminum

The dichotomy of the heavily textured, cast aluminum base and elegant antique brass top adds to the visual interest of this unique design. Place it between two chairs so you can show off the oval shape and striking dark bronze finish of the base.

### APPEARANCE

Materials	Aluminum, Iron
Finishes	Antique Bronze, Antique Brass
Finish Will Vary	No
Top Coat/Sealant	No

### DIMENSIONS

Overall	W: 28 in x D: 17 in x H: 23 in
Foot Print	W: 16 in x D: 9 in
Table Top	W: 28 in x D: 17 in x H: 1 in

### SHIPPING

Product Weight	40.0 lbs
Gross Weight 1	51.2 lbs
Shipping Box 1	W: 18.0 in x D: 20.0 in x H: 30.0 in

### ADDITIONAL INFO

Features	Assembly Required
----------	-------------------

### CONTRACT

Commercial Maintenance	Hardware will need to be occasionally tightened.
Contract Suitability	Contract Suitable With Conditions
Contract Conditions	For an additional fee, a clear, protective coating can be added