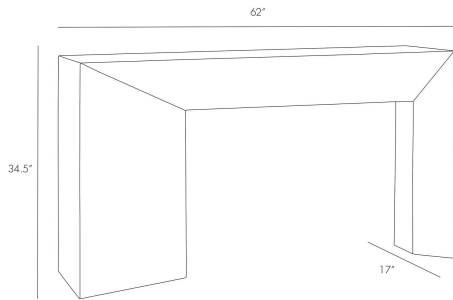


# ARTERIOS

## MCKINLEY CONSOLE



2240  
Blackened, Iron

Geometric angles, super sleek lines and a deep ebony finish make this a standout console. The light catches angled planes to reveal a tapered design from outside in, with asymmetrical legs that lend a contemporary edge. The blackened iron finish, almost mesmerizing, is a chemical reaction finish that not only gives it a moody side, but also keeps the table from corrosion. This is a statement piece for almost any space.

### APPEARANCE

Materials	Iron
Finishes	Blackened
Finish Will Vary	No
Top Coat/Sealant	Yes

### DIMENSIONS

Overall	W: 62 in x D: 17 in x H: 34.5 in
Narrow Leg	W: 6 in
Wide Leg	W: 17.5 in

### SHIPPING

Shipping Requirements	Special Handling Required
Product Weight	198.0 lbs
Gross Weight 1	188.5 lbs
Shipping Box 1	W: 23.0 in x D: 66.0 in x H: 38.0 in

### CONTRACT

Contract Suitability	Contract Suitable With Conditions
Contract Conditions	For an additional fee, a clear, protective coating can be added