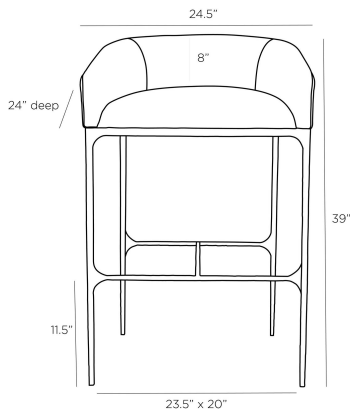


ARTERIOS

OSBOURNE BAR STOOL



2096
Russet, Leather

A hammered iron frame and handsome russet leather make this bar stool ultra-chic. The low, barrel-style shape gives lumbar comfort and support while allowing the stool to tuck neatly under a bartop. Its modern style brings sophistication and polish to a space. Leather and finish will vary.

APPEARANCE

Materials	Leather, Leather, Iron
Finishes	Russet, Russet, Blackened Iron
Finish Will Vary	Yes
Top Coat/Sealant	No

DIMENSIONS

Overall	W: 24.5 in x D: 24 in x H: 39 in
Foot Print	W: 23.5 in x D: 20 in
Arm	W: 4.5 in x D: 18 in x H: 36.5 in
Leg	H: 18 in
Seat Back	H: 8 in
Seat	W: 15 in x D: 18 in x H: 32 in
Diagonal Dimensions	W: 46 in

SHIPPING

Shipping Requirements	Special Handling Required
Product Weight	47.4 lbs
Gross Weight 1	59.52 lbs
Shipping Box 1	W: 25.6 in x D: 22.83 in x H: 41.34 in

ADDITIONAL INFO

Fabric Certification	NFPA-260, TB117-2013
Fabric Composition	100% Leather
Fabric Cleaning Code	S - dry clean only
Reupholstery Requirements	27 Square Feet 1.5 Yards

CONTRACT

Contract Suitability	Contract Suitable As Is
Contract Textile Suitability	High Traffic/Public Spaces

REPLACEMENT PARTS

OSBOURNEFOOT

SWATCHES

T36SW 4x4 Swatch: Russet Leather