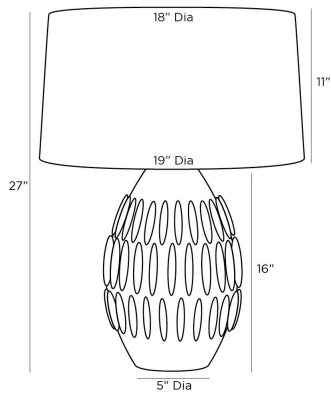


ARTERIO RS

PAWNEE LAMP



17800-683
Laurel Reactive, Ceramic

With botanic, seed-pod inspiration, the Pawnee lamp is created in porcelain, with hand-applied clay embellishments, and finished in laurel reactive glaze. The texture-rich table lamp is detailed with an antique brass finial and an ash microfiber drum shade lined in off-white cotton. Finish will vary.

APPEARANCE

Materials	Ceramic, Ceramic, Steel, Microfiber, Cotton
Finishes	Laurel Reactive, Laurel Reactive, Antique Brass, Ash, Off-White
Finish Will Vary	Yes
Top Coat/Sealant	No

DIMENSIONS

Overall	Dia: 19.0 in x H: 27 in
Foot Print	Dia: 5.0 in
Body	Dia: 11.5 in x H: 16 in
Finial	Dia: 1 in x H: 1 in
Shade Top	Dia: 18.0 in
Shade Side	H: 11 in
Shade Bottom	Dia: 19.0 in
Harp Size	H: 9 in
Neck	Dia: 1.0 in x H: 1 in

WIRING

Wire Rating	Indoor Only
Cord	10 FT, Clear/Silver, SPT-2
Socket	1, Type A - E26
Suggested Bulb Type	A19
Switch	At Socket, 3-Way Rotary
Maximum Wattage	150.0
Voltage	110-120 V

CERTIFICATIONS & COMPLIANCY

Certifications	Middle East, European Union, United Kingdom, Australia, Mexico, United States, Canada
Compliance	RoHS, UL/ETL, CB

SHIPPING

Product Weight	12.0 lbs
Gross Weight 1	14.0 lbs
Gross Weight 2	5.0 lbs
Shipping Box 1	W: 23.5 in x D: 14.0 in x H: 20.0 in
Shipping Box 2	W: 20.0 in x D: 20.0 in x H: 12.0 in

CONTRACT

Contract Suitability	Contract Suitable As Is
Tilt Test Degrees	10 Degrees

REPLACEMENT PARTS

81002