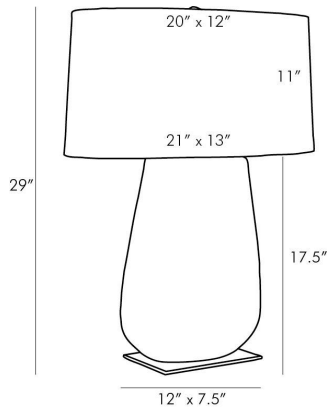


# ARTERIOS

## DEAGAN LAMP



17367-943

Gunmetal & Teal Reactive, Ceramic

Showcasing a simple ceramic form on a bronze steel plate the reaction of glazes is the real scene-stealer here. A gunmetal reactive glaze tops this piece before beautifully bleeding into a teal reactive glaze bottom leaving no two alike. A sea of grayish to greenish to blueish centers this piece drawing the eye with its unique and varying hues—tones that are further enhanced when illuminated. Topped with a white linen drum shade with white cotton lining. finish will vary.

### APPEARANCE

Materials	Ceramic, Ceramic, Steel, Linen, Cotton
Finishes	Gunmetal & Teal Reactive, Gunmetal & Teal Reactive, Bronze, White, White
Finish Will Vary	Yes
Top Coat/Sealant	No

### DIMENSIONS

Overall	W: 21 in x D: 13 in x H: 29 in
Foot Print	W: 9 in x D: 7 in
Body	W: 12 in x D: 7.5 in x H: 17.5 in
Finial	Dia: 1 in x H: 1 in
Shade Top	W: 20 in x D: 12 in
Shade Side	H: 11 in
Shade Bottom	W: 21 in x D: 13 in
Harp Size	H: 9 in
Neck	Dia: 1.0 in x H: 1 in

### WIRING

Wire Rating	Indoor Only
Cord	10 FT, Clear/Silver, SPT-2
Socket	1, Type A- E26, 3-Way
Suggested Bulb Type	A19
Switch	At Socket, 3-Way Rotary
Maximum Wattage	150.0
Voltage	110-120 V

### CERTIFICATIONS & COMPLIANCY

Certifications	Middle East, European Union, United Kingdom, Mexico, United States, Canada
Compliance	RoHS, UL/ETL, CB

### SHIPPING

Product Weight	17.5 lbs
Gross Weight 1	18.5 lbs
Gross Weight 2	3.0 lbs
Shipping Box 1	W: 16.0 in x D: 25.5 in x H: 11.5 in
Shipping Box 2	W: 23 in x D: 23 in x H: 13 in

### CONTRACT

Contract Suitability	Contract Suitable As Is
Tilt Test Degrees	10 Degrees