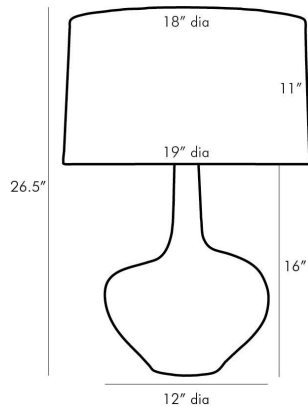


# ARTERIOS

## NASH LAMP



11049-690  
Tidal Reactive, Ceramic

Overtly organic the Nash presents a natural sophistication that instantly elevates a space. The ceramic base showcases a tidal reactive glaze that polishes and gently accentuates its asymmetrical shape. This visually lightweight luminescent works well to balance heavier decor trends in personal and professional settings. Topped with an ivory microfiber drum shade with off-white cotton lining and a 1" brass sphere finial. finish will vary.

### APPEARANCE

|                  |  |
|------------------|--|
| Materials        | Ceramic, Microfiber, Cotton, Ceramic             |
| Finishes         | Tidal Reactive, Ivory, Off-White, Tidal Reactive |
| Finish Will Vary | Yes  |
| Top Coat/Sealant | No   |

### DIMENSIONS

|              |                           |
|--------------|---------------------------|
| Overall      | Dia: 19.0 in x H: 26.5 in |
| Foot Print   | Dia: 5.0 in               |
| Body         | Dia: 12.0 in x H: 16 in   |
| Shade Top    | Dia: 18.0 in              |
| Shade Side   | H: 11 in                  |
| Shade Bottom | Dia: 19.0 in              |
| Neck         | Dia: 1.0 in x H: 1 in     |

### WIRING

|                     |                           |
|---------------------|---------------------------|
| Wire Rating         | Indoor Only               |
| Cord                | 8 FT, Clear/Silver, SPT-2 |
| Socket              | 1, Type A- E26, 3-Way     |
| Suggested Bulb Type | A19                       |
| Switch              | At Socket, 3-Way Rotary   |
| Maximum Wattage     | 150.0                     |
| Voltage             | 110-120 V                 |

### CERTIFICATIONS & COMPLIANCY

|                |                               |
|----------------|-------------------------------|
| Certifications | Mexico, United States, Canada |
| Compliance     | UL/ETL                        |

### SHIPPING

|                |                                      |
|----------------|--------------------------------------|
| Product Weight | 6.5 lbs                              |
| Gross Weight 1 | 12.0 lbs                             |
| Gross Weight 2 | 5 lbs                                |
| Shipping Box 1 | W: 17.0 in x D: 16.0 in x H: 24.0 in |
| Shipping Box 2 | W: 23.0 in x D: 23.0 in x H: 14.0 in |

### CONTRACT

|                      |                         |
|----------------------|-------------------------|
| Contract Suitability | Contract Suitable As Is |
| Tilt Test Degrees    | 10 Degrees              |

### REPLACEMENT PARTS

81002