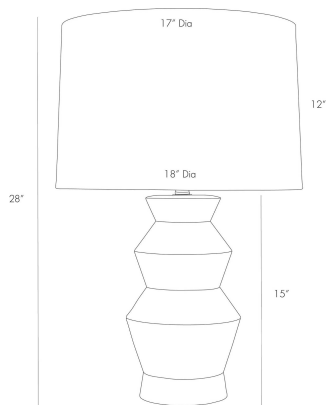


ARTERIOS

OGDEN LAMP



11019-955
Provincial Blue, Porcelain

The rich textures in this porcelain lamp are created by hand and skill of artisan potters. After the porcelain is formed, they take small clay combs and create all the etchings, which is why, up close, you'll notice slight organic details. The provincial blue glaze only adds to the textures and has a slight crackling where etchings are absent. Topped with a drum shade in white linen with cotton lining and an acrylic ball finial. Glaze finish will vary.

APPEARANCE

Materials	Porcelain, Linen, Cotton
Finishes	Provincial Blue, White, Off-White
Finish Will Vary	Yes
Top Coat/Sealant	No

DIMENSIONS

Overall	Dia: 18.0 in x H: 28 in
Foot Print	Dia: 8.0 in
Body	Dia: 9.0 in x H: 15 in
Finial	Dia: 1 in x H: 1 in
Shade Top	Dia: 17.0 in
Shade Side	H: 12 in
Shade Bottom	Dia: 18.0 in
Harp Size	H: 10.5 in
Neck	Dia: 1.0 in x H: 2 in

WIRING

Wire Rating	Indoor Only
Cord	8 FT, Clear/Silver, SPT-2
Socket	1, Type A- E26, 3-Way
Suggested Bulb Type	A19
Switch	At Socket, 3-Way Rotary
Maximum Wattage	150.0
Voltage	110-120 V

CERTIFICATIONS & COMPLIANCY

Certifications	Australia, Mexico, United States, Canada
Compliance	UL/ETL

SHIPPING

Product Weight	9.5 lbs
Gross Weight 1	10.0 lbs
Gross Weight 2	3.0 lbs
Shipping Box 1	W: 13.0 in x D: 12.0 in x H: 25.0 in
Shipping Box 2	W: 22.0 in x D: 22.0 in x H: 16.0 in

CONTRACT

Contract Suitability	Contract Suitable As Is
Tilt Test Degrees	10 Degrees

REPLACEMENT PARTS

81324