

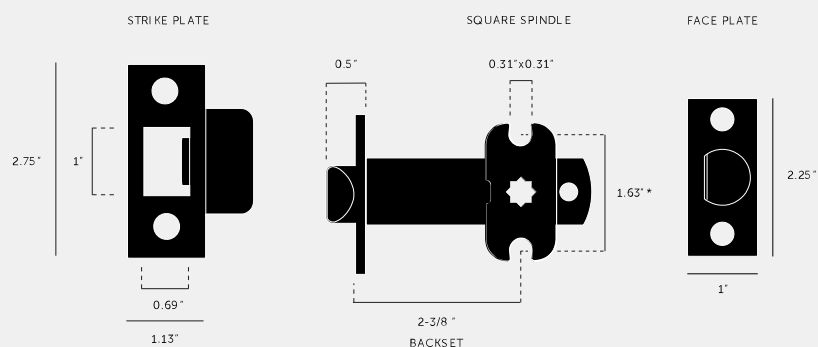
**TUBULAR LATCH /
DOOR LEVER /
PRIVACY**

ACTION: LATCH

RANGE: LATCHES

Passage and privacy tubular latches, designed to work in conjunction with our North American door lever handles and door knobs. A sprung latch ensures a consistent feel everytime you open the door. Works great on all internal doors. Latches come with strike plates and face plates machined in five solid metal finishes: Steel, brass, smoked bronze, gun metal and black. Latch tongues come in matching brass or steel.





SPECIFICATIONS

North American specification privacy tubular latch, supplied with a plastic latch block with a 1.63"* centre to centre distance, 2-3/8" backset. For use with North American specification privacy door lever handles. Suitable for interior doors only. 0.31" x 0.31" square split spindle (supplied with B+P door lever handle sets)

FINISH & SKU NUMBERS

sku:	finish:	size:
NLL-02186	● black	2-3/8 INCHES
NLL-05187	● brass	2-3/8 INCHES
NLL-07189	● steel	2-3/8 INCHES
NLL-02190	● black	2-3/4 INCHES
NLL-05191	● brass	2-3/8 INCHES
NLL-352224	● gun metal	2-3/4 INCHES
NLL-09192	● smoked bronze	2-3/4 INCHES
NLL-07193	● steel	2-3/4 INCHES

INCLUDED

1 x Privacy tubular latch 1 x face plate 1 x strike plate 1 x plastic dust box 1 x plastic latch block all required fixings (including matching finish woodscrews)

PLEASE NOTE

*This number indicates the centre to centre measurement for the through bolt holes that are used to fit the door. 1.63" is standard for North America and Canada. DISCLAIMER: Always consult a trade professional when installing these tubular latches. Buster + Punch is not responsible for the usage or feasibility of installation requirements. This product is not suitable for damp or wet environments.

CARE INSTRUCTIONS

Wipe with damp cloth with no loose hairs, avoid using any chemicals. All finishes are prone to aging.