

**TUBULAR LATCH /  
DOOR KNOB /  
PASSAGE**

---

**ACTION: LATCH**

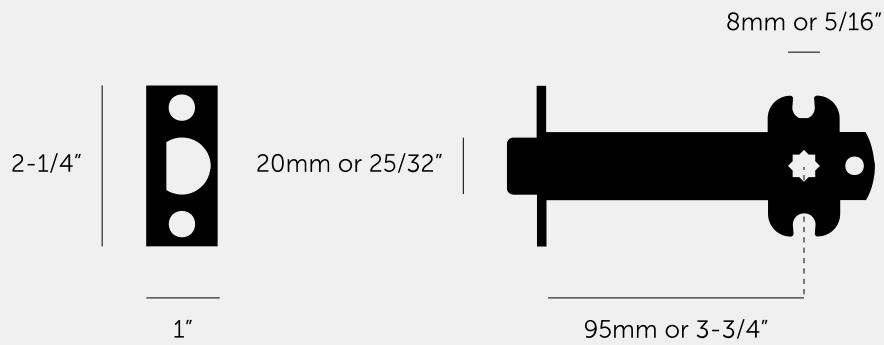
---

**RANGE: LATCHES**

---

Passage and privacy tubular latches, designed to work in conjunction with our North American door lever handles and door knobs. A sprung latch ensures a consistent feel everytime you open the door. Works great on all internal doors. Latches come with strike plates and face plates machined in five solid metal finishes: steel, brass, smoked bronze, gun metal and black. Latch tongues come in matching brass or steel.






---

#### SPECIFICATIONS

---

North American specification passage tubular latch, supplied with a plastic latch block with a 1.63\*\* centre to centre distance, 3-3/4" backset.

For use with North American specification passage door knobs. Suitable for interior doors only.

0.31" x 0.31" square split spindle (supplied with B+P door lever handle sets)

---

#### INCLUDED

---

- 1 x Passage tubular latch
- 1 x face plate
- 1 x strike plate
- 1 x plastic dust box
- 1 x plastic latch block
- all required fixings (including matching finish woodscrews)

---

#### PLEASE NOTE

---

\*This number indicates the centre to centre measurement for the through bolt holes that are used to fit the door. 1.63" is standard for North America and Canada. **DISCLAIMER:** Always consult a trade professional when installing these tubular latches. Buster + Punch is not responsible for the usage or feasibility of installation requirements. This product is not suitable for damp or wet environments.

---

#### FINISH & SKU NUMBERS

---

sku:	finish:	size:
NLL-02197	● black	3-3/4 INCHES
NLL-05195	● brass	3-3/4 INCHES
NLL-352222	● gun metal	3-3/4 INCHES
NLL-09196	● smoked bronze	3-3/4 INCHES
NLL-07194	● steel	3-3/4 INCHES

---

#### CARE INSTRUCTIONS

---

Wipe with damp cloth with no loose hairs, avoid using any chemicals. All finishes are prone to aging.