

THE ROCKSTAR

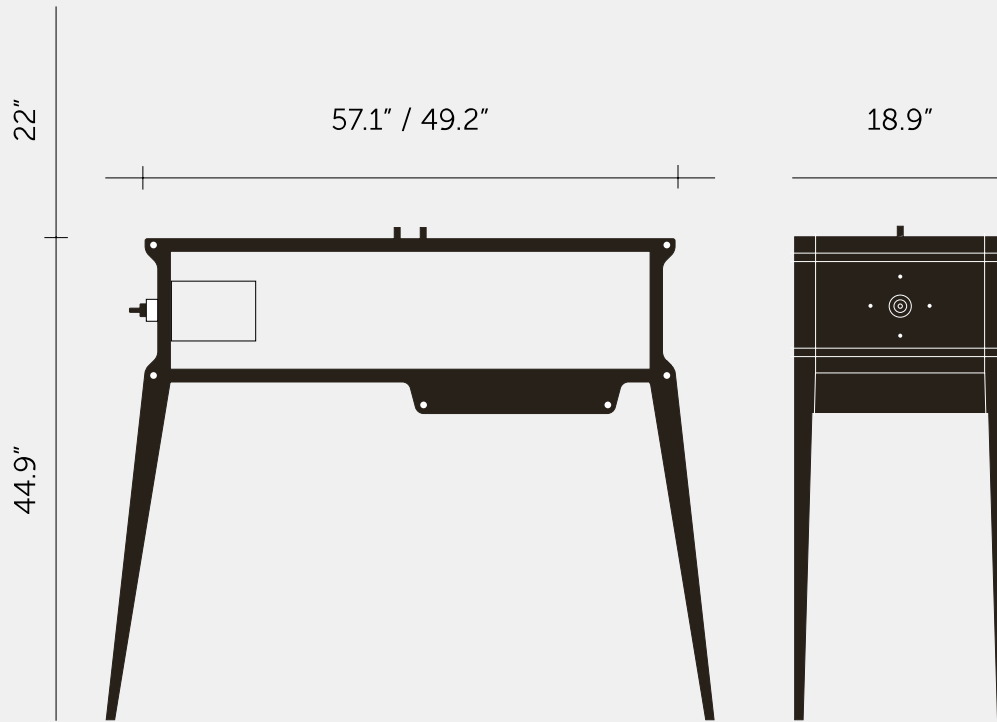
ACTION: BAR

KNURL: CROSS

RANGE: FURNITURE

Everyone knows a good ROCKSTAR steals the show and ours is no different. Our whisky bar is handmade from solid wood, has a stitched back panel and is fitted with a knurled solid metal light fitting, complete with a snake's heat cage for protection. The bar is then finished with our signature coin screws and a set of knurled furniture handles. The bar has mechanical soft-close doors, and comes with foldable legs attached with solid metal machined brackets - as there is no point having a Rockstar in your house if you can't get it through the door!





SPECIFICATIONS

E26 cap fitting
110-120V
Maximum 40W bulb
2W bulb included

INCLUDED

1 x Rockstar Bar

PLEASE NOTE

DISCLAIMER: Buster + Punch is not responsible for the usage or feasibility of installation requirements. This product is not suitable for damp or wet environments.

FINISH & SKU NUMBERS

sku:	finish:	size:
US-RS-WA-BR-GBS-A	● american walnut	
US-RS-BA-ST-ALC	● black ash	

CARE INSTRUCTIONS

WOOD: We recommend using a soft cloth to wipe the surface. If necessary use a delicate cleaning agent that is recommended for wooden surfaces. Do not use agents containing ammonia, alcohol, bleach or substances with abrasive properties. If by accident something spills, immediately wipe clean to avoid stains.
METAL: Wipe with damp cloth with no loose hairs, avoid using any chemicals. Please note all finishes are prone to aging.