

**1G DIMMER /  
INCANDESCENT /  
CROSS / WITH LOGO**

---

**ACTION: DIMMER SWITCH**

---

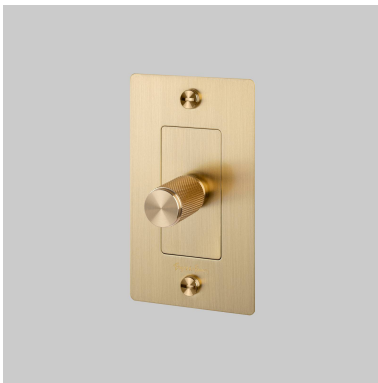
**KNURL: CROSS**

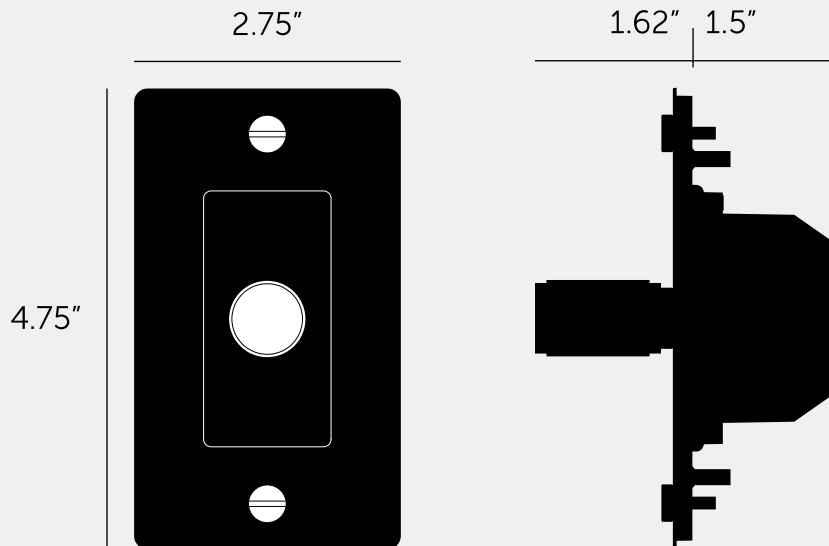
---

**RANGE: DIMMER SWITCHES**

---

A solid metal dimmer switch paired with our Standard Dimmer Module, designed specifically for incandescent and halogen lighting circuits. The switch features our signature diamond-cut knurled dimmer arm for a satisfying push-on, rotary-dimming action. It's finished with a sleek flat plate and our signature solid metal coin screws, and is available in five distinct finishes. You can also team it with our toggle switches, duplex outlets and USB outlets in matching finishes for a fully cohesive look.






---

#### SPECIFICATIONS

---

Our Metal Electricity range has solid stainless steel plates, in our signature white, steel, brass, smoked bronze and black finishes.

Module: NDM-01385 (BP-VR600US)  
 Incandescent Dimmer Module  
 Style: Push ON/OFF Rotary Dimmer with 3 way switching  
 Input: 100 - 120V AC 60 HZ  
 Dimming Type: Leading Edge  
 Load: 600W max. HAL / INC - 150W max LED  
 Operating Temperature: 0° - 35°C / 32° - 89.6°F  
 Humidity: 10 - 90% R.H.  
 Certifications: cETLus 5008883

Recommended Electrical Back Box: Standard 1G electrical box. Box must be flush mounted.  
 This piece features a 1/8" (4mm) shadow gap when installed.

---

#### FINISH & SKU NUMBERS

---

sku:	finish:	size:
NDK-023414	● black	1G
NDK-053415	● brass	1G
NDK-453416	● smoked bronze	1G
NDK-073417	● steel	1G
NDK-143418	● white	1G
NDK-134886	black / warm sunset	1G

---

#### INCLUDED

---

1 x 1G Wall Plate  
 1 x Dimmer Module / Standard  
 1 x Dimmer Detail Kit

---

#### PLEASE NOTE

---

DISCLAIMER: Always consult a trade professional when installing this product. Buster + Punch is not responsible for the usage or feasibility of installation requirements. This product is not suitable for damp or wet environments.

---

#### CARE INSTRUCTIONS

---

Wipe with a dry lint free cloth with no loose hairs, avoid using any chemicals. Please note that finishes may age naturally with time and regular use.