

**FORKED PENDANT /  
LINEAR / GLOBE /  
SMOKED / LARGE**

---

**ACTION: PENDANT LIGHT**

---

**KNURL: LINEAR**

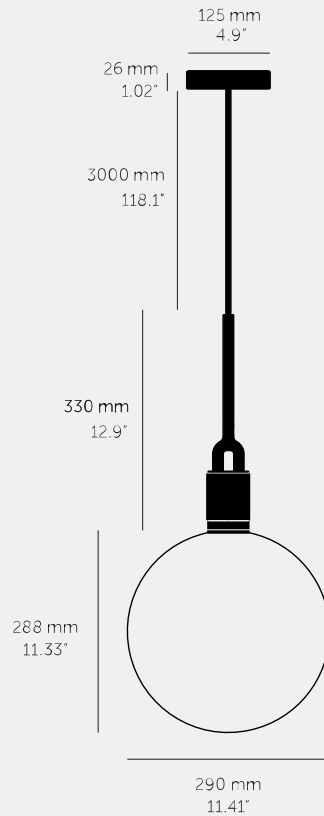
---

**RANGE: FORKED**

---

A light pendant made from cast and machined metal, featuring our signature diamond-cut linear knurl pattern and fork detailing, refined by hand. It comes with a handblown glass globe.






---

#### SPECIFICATIONS

---

Pendant light  
 1x solid metal lamp holder  
 Adjustable 118inch cable  
 E26, 110-120V~, IP20  
 Max 7W  
 Bulb included  
 1x hand-blown glass globe

The height of the pendant can be adjusted either by placing the excess cable into the cavity space, or by cutting the cable to the desired length. If the cable length is being cut, please ensure this is undertaken by a trained professional to avoid voiding the warranty.

---

#### FINISH & SKU NUMBERS

---

sku:	finish:	size:
NFP-493172	● brass	LARGE
NFP-883192	● gun metal	LARGE
NFP-853182	● steel	LARGE

---

#### INCLUDED

---

1 x Forked Pendant 1 x Forked Globe 1 x Forked Bulb

---

#### PLEASE NOTE

---

DISCLAIMER: Always consult a trade professional when installing this product. Buster + Punch is not responsible for the usage or feasibility of installation requirements. This product is not suitable for damp or wet environments. Any adjustment work needs to be carried out by a suitably qualified person. Any damage to the product caused by negligence, abusive use or misuse and/or any changes to the product which are not detailed in B+P instruction manuals, is explicitly excluded from the product warranty

---

#### CARE INSTRUCTIONS

---

Wipe with dry cloth with no loose hairs, avoid using any chemicals. Please note all finishes are prone to aging.