

**EXHAUST TRACK /  
LINEAR / STONE**

---

**ACTION: SPOTLIGHT**

---

**KNURL: LINEAR**

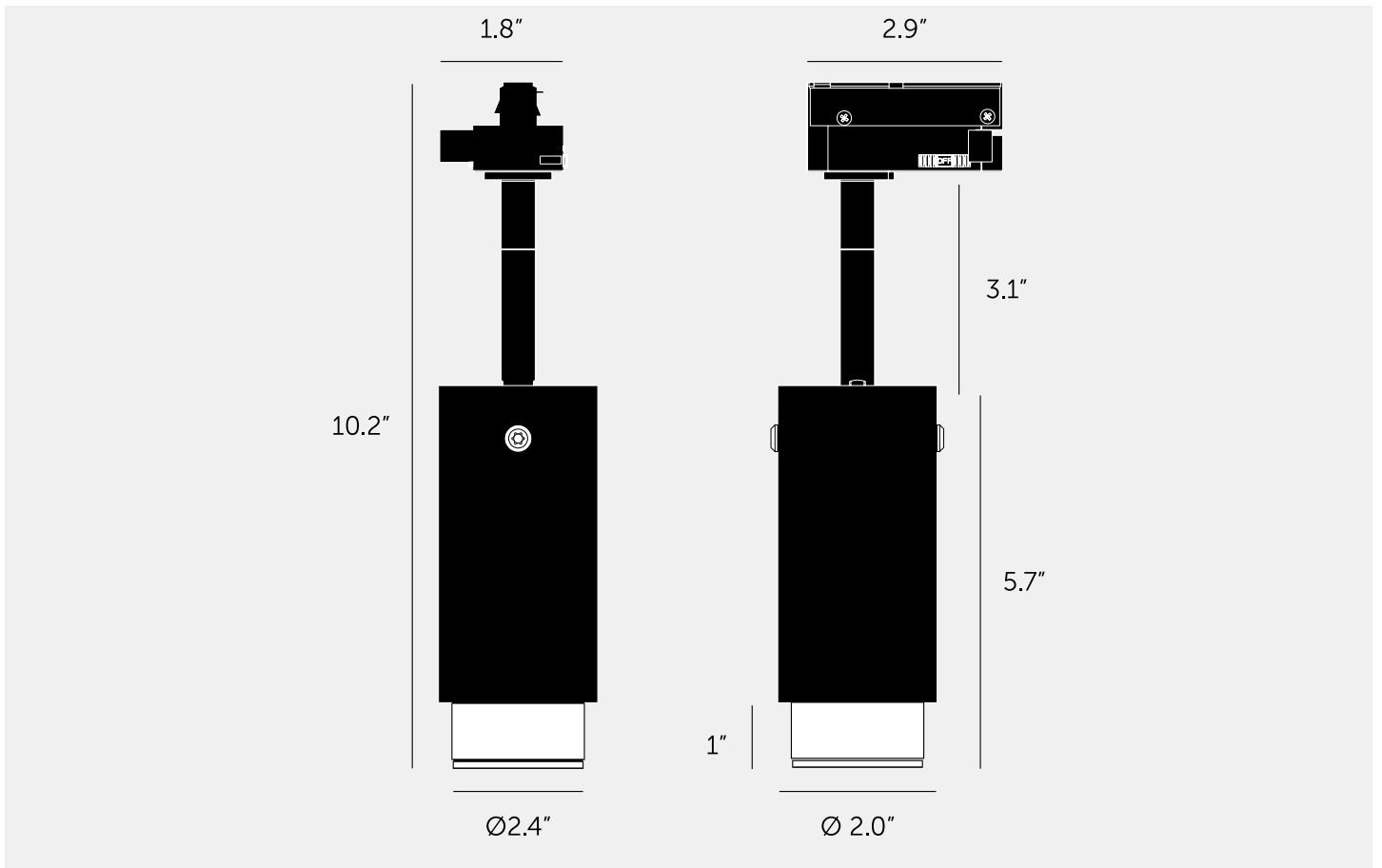
---

**RANGE: EXHAUST**

---

A track spotlight with a powder coated metal body and solid metal detailing. The spotlight features our signature solid metal linear-knurl baffle and machined torx screws. The baffle captures light and creates a delicate metallic glow, whilst a honeycomb filter delivers precise, low-glare, directional light. This spotlight is fully adjustable and comes with a black, single circuit H-style track adapter, compatible with 3 wire Single circuit track (not supplied by B+P). The spotlight fits a GU10 bulb, sold separately.





#### SPECIFICATIONS

Track spotlight  
 GU10 / 110-120VAC / Dry Locations  
 Max 1 x 9W LED GU10 bulb  
 \*Bulb sold separately  
 cULus certified / Class 1

[ info. COMPATIBILITY. ]

Exhaust track spotlight uses a single circuit H-style adapter. Compatible with 3 wire Single circuit track.

#### FINISH & SKU NUMBERS

sku:	finish:	size:
NEIG-254053	● brass	
NEIG-704054	● burnt steel	
NEIG-654055	● gun metal	
NEIG-234056	● steel	

#### INCLUDED

1 x Exhaust Track Body  
 1 x Exhaust Detail Kit  
 1 x Honeycomb Filter  
 1 x Ceiling rose extender  
 \*

\* The following come in separate boxes:  
 1 x Baffle\*  
 2 x Torx Screws\*

#### PLEASE NOTE

DISCLAIMER: Always consult a trade professional when installing this Exhaust Spotlight. Buster + Punch is not responsible for the usage or feasibility of installation requirements. This product is not suitable for damp or wet environments.

#### CARE INSTRUCTIONS

Wipe with lint-free cloth with no loose hairs, avoid using any chemicals. Please note all finishes are prone to aging.