

**EXHAUST SPOT /  
LINEAR / STONE**

---

**ACTION: SPOTLIGHT**

---

**KNURL: LINEAR**

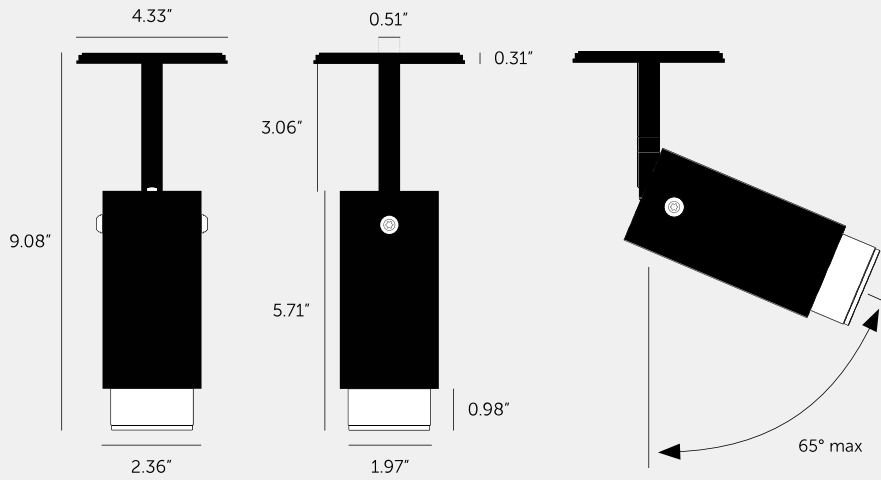
---

**RANGE: EXHAUST**

---

An adjustable spotlight with a powder coated metal body and solid metal detailing. The spotlight features our signature solid metal linear-knurl baffle and machined torx screws. The baffle captures light and creates a delicate metallic glow, whilst a honeycomb filter delivers a precise, low-glare, directional light. This spotlight fits a GU10 bulb, sold separately.






---

#### SPECIFICATIONS

---

Adjustable spotlight  
 GU10\* / 110-120VAC / Dry locations  
 Max 1 x 9W LED GU10 bulb  
 \*Bulb sold separately  
 cULus certified / Class 1

---

#### INCLUDED

---

1 x Exhaust Spot Body  
 1x Exhaust Detail Kit  
 1 x Honeycomb Filter  
 1 x Ceiling rose extender  
 \*  
 \* The following come in separate boxes:  
 1 x Baffle\*  
 2 x Torx Screws\*

---

#### PLEASE NOTE

---

DISCLAIMER: Always consult a trade professional when installing this Exhaust Spotlight. Buster + Punch is not responsible for the usage or feasibility of installation requirements. This product is not suitable for damp or wet environments.

---

#### FINISH & SKU NUMBERS

---

sku:	finish:	size:
NEIG-253985	● brass	
NEIG-703986	● burnt steel	
NEIG-653987	● gun metal	
NEIG-233988	● steel	

---

#### CARE INSTRUCTIONS

---

Wipe with lint-free cloth with no loose hairs, avoid using any chemicals. Please note all finishes are prone to aging.