

**DETAIL KIT /
EXHAUST / LINEAR**

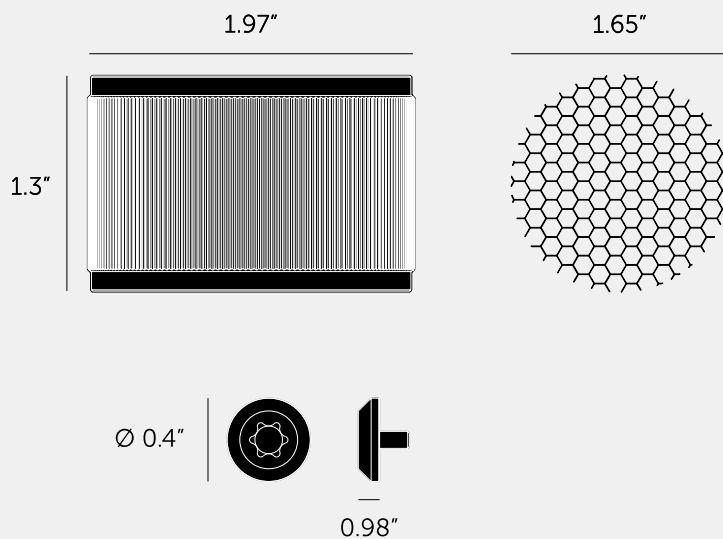
ACTION: DETAIL KIT

KNURL: LINEAR

RANGE: EXHAUST DETAILS

A baffle made from solid metal, featuring a linear knurl, complete with matching torx screws. Use this to customise your EXHAUST light.





SPECIFICATIONS

A baffle made from solid metal, complete with matching torx screws. Use this to customise your EXHAUST light.





INCLUDED

1x baffle
 1x honeycomb filter
 2x torx screws

PLEASE NOTE

DISCLAIMER: Always consult a trade professional when installing this product. Buster + Punch is not responsible for the usage or feasibility of installation requirements. This product is not suitable for damp or wet environments.

FINISH & SKU NUMBERS

sku:	finish:	size:
NBB-05688	 brass	
NBB-36796	 burnt steel	
NBB-35690	 gun metal	
NBB-07689	 steel	

CARE INSTRUCTIONS

Wipe with lint-free cloth with no loose hairs, avoid using any chemicals. Please note all finishes are prone to aging.