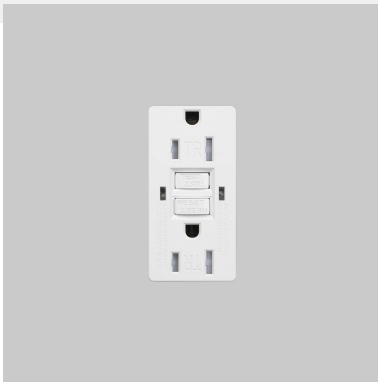


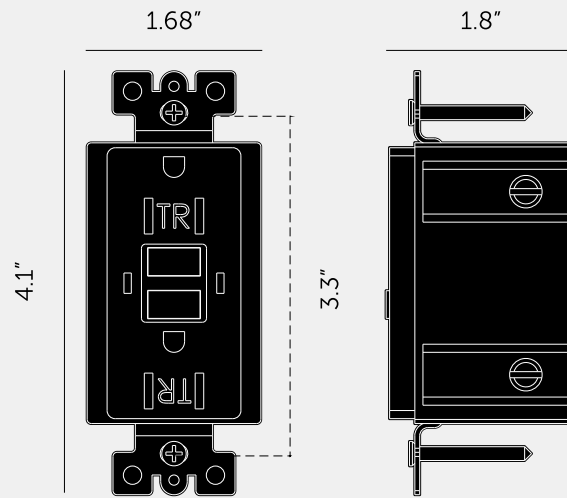
OUTLET MODULE / DUPLEX GFCI

ACTION: GFCI POWER OUTLET

RANGE: ELECTRICITY MODULES

1 x duplex outlet GFCI
Outlet: 15A / 125V / 60Hz
Class A outlet.
Ground fault protection
Tamper proof.





SPECIFICATIONS

Style: Duplex Outlet GFCI
Input: 125VAC / 60Hz
Load: 15A
Class 1 outlet / Must be grounded. Tamper resistant
Ground fault protection
Certification: cULus listed
Must be grounded.

FINISH & SKU NUMBERS

sku:	finish:	size:
NSM-023240	● black	
NSM-143241	● white	

INCLUDED

1 x GFCI Outlet Module

PLEASE NOTE

DISCLAIMER: Always consult a trade professional when installing this product. Buster + Punch is not responsible for the usage or feasibility of installation requirements. This product is not suitable for damp or wet environments.

CARE INSTRUCTIONS

Wipe with a dry lint free cloth with no loose hairs, avoid using any chemicals. Please note that finishes may age naturally with time and regular use.