

BUSTER + PUNCH
LONDON

DOOR HANDLE SET / PASSAGE / LINEAR

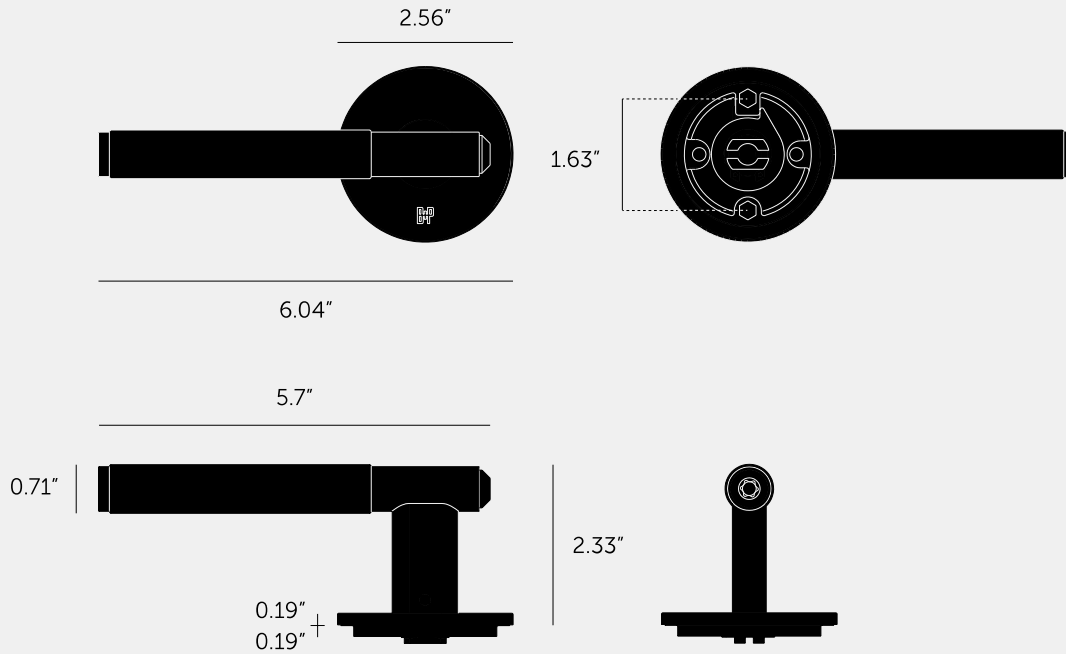
ACTION: DOOR HANDLE

KNURL: LINEAR

RANGE: DOOR HANDLES

A passage door lever handle set made from solid metal and featuring our elegant linear-knurl detailing, torx screws and laser etched Buster + Punch insignia. Works great on all internal doors and can be combined with our matching door accessories. Includes 2-3/8" backset US passage tubular latch with through bolt fixings and matching strike and face plates.





SPECIFICATIONS

A pair of sprung solid metal door lever handles, designed for installation onto a "pre-drilled" door (2-1/8" bore hole).

Designed for use with US (centre distance 41.5mm or 1-5/8") specific latches.

Compatible with either tubular latches or mortise locks.

Suitable for interior doors only.

Fits doors thicknesses of minimum 1-3/8" to maximum 2". For thicker doors, longer through bolts and a longer spindle will need to be sourced.

Rose: 2-9/16" diameter, 3/16" thick

FINISH & SKU NUMBERS

sku:	finish:	size:
NLH-051037	● brass	
NDDK-454434	● smoked bronze	
NLH-071038	● steel	
NLH-481036	● welders black	

INCLUDED

- 1 x pair of passage door lever handles
- 1 x square spindle
- 2 x spindle adapters (pre-installed)
- 1 x 2-3/8" backset US passage tubular latch with through bolt fixings
- 1 x strike plate
- 1 x face plate

PLEASE NOTE

This product is best used with a long backset (2-3/4" or 2-3/8"), lightly sprung, two-way rotating tubular latch or mortise lock. **DISCLAIMER:** Always consult a trade professional when installing these door handles. Buster + Punch is not responsible for the usage or feasibility of installation requirements. This product is not suitable for damp or wet environments. Our door handles are intended for internal use only. Not for commercial use.

CARE INSTRUCTIONS

Wipe with damp cloth with no loose hairs, avoid using any chemicals. Please note all finishes are prone to aging.