

**1G DIMMER / LED /
CROSS / WITHOUT
LOGO**

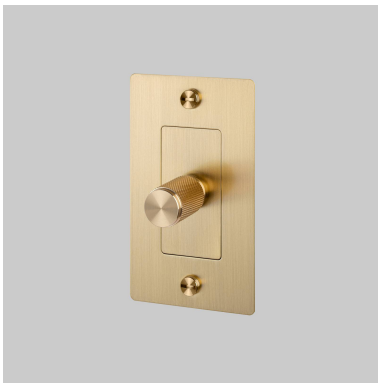
ACTION: DIMMER SWITCH

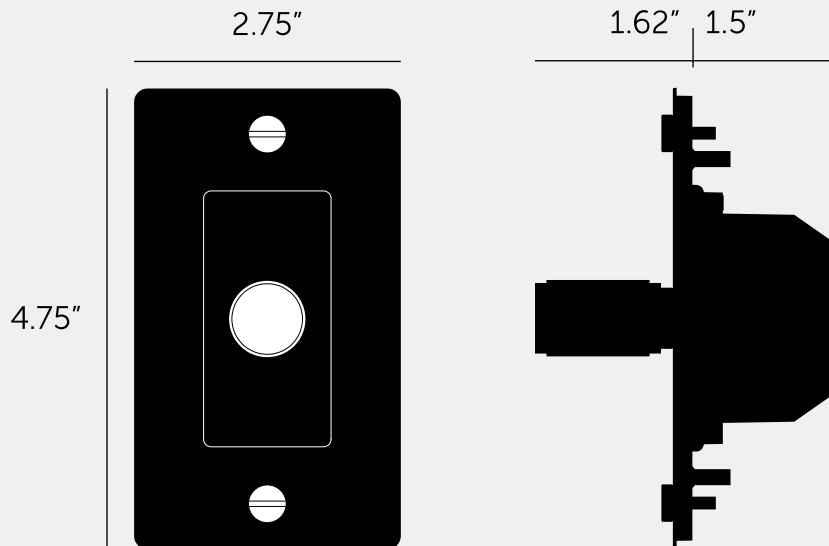
KNURL: CROSS

RANGE: DIMMER SWITCHES

A solid metal dimmer switch with a diamond-cut knurled knob designed to feel exceptional with every touch. It can be used on lighting circuits that power dimmable LED, incandescent or halogen bulbs, offering smooth, reliable control across multiple lamp types.

The dimmer is finished with a flat plate and our signature solid metal coin or torx screws, and is available in five different finishes. You can also pair it with our toggle switches, duplex outlets and USB outlets in matching finishes for a cohesive look throughout your space.





SPECIFICATIONS

Our Metal Electricity range has solid stainless steel plates, in our signature white, steel, brass, smoked bronze and black finishes.

Module: NDM-024061
 LED Dimmer Module
 Style: Push ON/OFF Rotary Dimmer
 Input: 100-120VAC 60 Hz
 Dimming Type: Trailing and leading edge (auto-detect & user override)
 Load: LED 5-250W / HAL/INC 10-300W per gang
 Operating Temperature: 32° - 95°F / 0° - 35°C
 Humidity: 10 - 90% R.H.
 Certifications: cETLus 5008883
 Compatible with 3-Way & 4-Way Switches. Not Compatible with Retractive Switches. Not Compatible with non-dimmable lamps & fixtures, compact florescent lamps (CFLs), electric motors or fans.
 Not compatible with Magnetic Low Voltage (MLV) lighting systems and drivers.
 Testing includes:
 Overload - 100 cycles @ 150% max load
 Endurance - 10,000 cycles @ 100% max load
 Dielectric Voltage Withstand - 1500V

note: rotary action is smooth and silent during operation.
 The dimmer switch incorporates a soft-start feature, which may result in a 1-2 second delay before full illumination to reduce inrush current and extend lamp life.

FINISH & SKU NUMBERS

sku:	finish:	size:
NDK-024355	● black	1G
NDK-054356	● brass	1G
NDK-454357	● smoked bronze	1G
NDK-074358	● steel	1G
NDK-144359	● white	1G
NDK-134885	black / warm sunset	1G

INCLUDED

1 x 1G Wall Plate
 1 x LED Dimmer Module
 1 x Dimmer Detail Kit

PLEASE NOTE

DISCLAIMER: Always consult a trade professional when installing this product. Buster + Punch is not responsible for the usage or feasibility of installation requirements. This product is not suitable for damp or wet environments.

CARE INSTRUCTIONS

Wipe with a dry lint free cloth with no loose hairs, avoid using any chemicals. Please note that finishes may age naturally with time and regular use.