

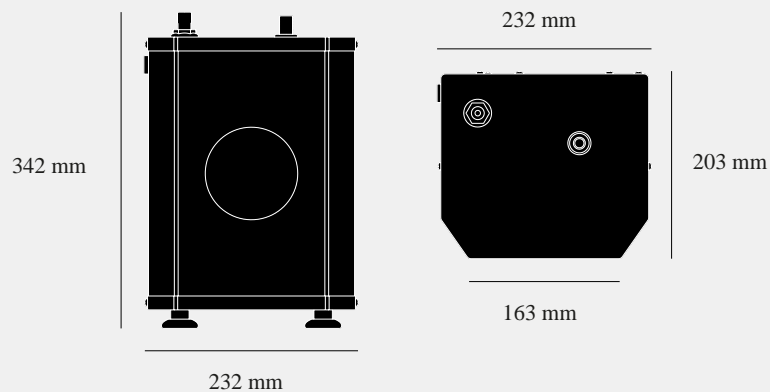
**KITCHEN TAP /
REPLACEMENT
BOILING WATER**

ACTION: INSTANT HOT WATER TANK

RANGE: 4-IN-1 TAPS

An instant hot water kit to be used in conjunction with our 4-in-1 Kitchen Tap.





SPECIFICATIONS

Minimum recommended water pressure: 21.75 PSI (1. BAR).
 Maximum recommended water pressure: 72.5 PSI (5 BAR).
 Water Tank capacity: 2.4L
 Voltage: 220 - 240Vac 50Hz
 Rated power: 1500W
 Important: Do not perform maintenance or cleaning off the tank until without first switching off the electricity supply.

FINISH & SKU NUMBERS

sku	finish	size
UKT-012217	● black	

INCLUDED

1 x Instant Hot Water Tank

PLEASE NOTE

DISCLAIMER: Always consult a trade professional when installing this Instant hot water Tank. Buster + Punch is not responsible for the usage or feasibility of installation requirements. This product is not suitable for damp or wet environments. IMPORTANT: THE WATER FILTER MUST BE REPLACED EVERY SIX MONTHS OR THE GUARANTEE WILL BECOME INVALID.

CARE INSTRUCTIONS

Wipe with damp cloth with no loose hairs, avoid using any chemicals. Any abrasive cleaner will scratch the surface and could erase the control panel markings.