

**3G TOGGLE / 2-WAY
/ CROSS / BRASS**

ACTION: 2 WAY TOGGLE ITEM GROUP

KNURL: CROSS

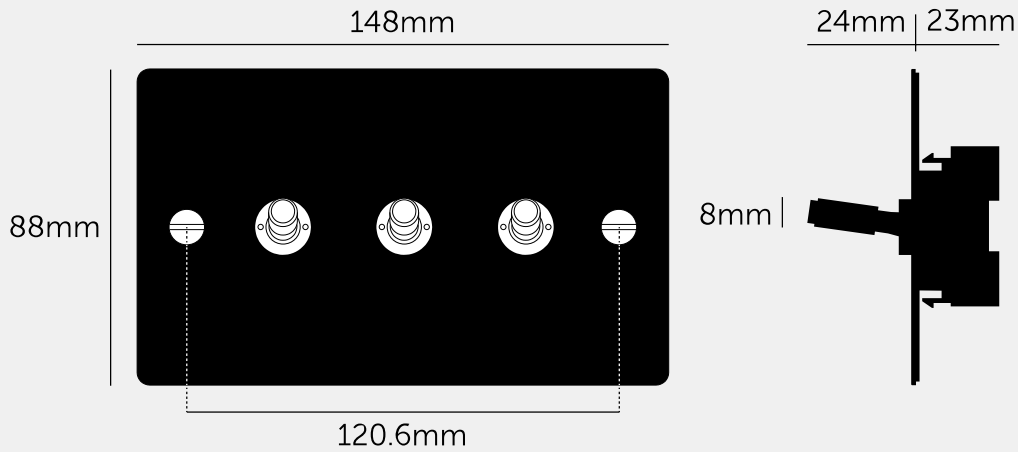
RANGE: DIMMER / TOGGLE WALL PLATE

A 2G triple toggle switch made from solid metal with a black finish. It features a brushed solid metal plate, three toggle modules and a detail kit with our signature cross-knurled toggle arms, solid metal toggle nuts and coin screws.

This switch is part of our Custom Switches + Sockets collection, which can be customised in the years to come functionally and aesthetically. Simply switch out the modules, or change the look with one of our detail kits. This piece is delivered with its components in separate boxes.

See tech spec for more information and, if in doubt, always consult a licensed electrician.





SPECIFICATIONS

Solid metal switch plate with 3x toggle module, in our signature black finish.

Module: GTM-013290

Style: On / Off Toggle Switch

Switching: 2-way (can be controlled from 2 locations)

220-250VAC / 10AX / 50Hz

Certification: BS EN 60669

For use with standard 1-way, 2-way and 3-way wiring accessories.
Compatible with smart home systems that accept standard switch inputs.
Not compatible with retractive switches and Buster + Punch multipoint dimmers.

Not suitable for motors, fans or any other type of large inductive load.
Make sure to consider the inrush current load on the circuit when specifying this module (10AX max.).

Compatible with UK standard 2G electricity back boxes (120.6mm screw spacing). See dimensions of chosen module for required backbox depth. Box must be flush mounted.

INCLUDED

- 1 x 2G Wall Plate for 3x toggles
- 3 x 2-Way Toggle Module
- 3 x Toggle Detail Kit
- 1 x Plate Detail Kit
- 2 x 25mm Electricity Screws
- 2 x 50mm Electricity Screws

PLEASE NOTE

DISCLAIMER: Always consult a trade professional when installing this product. Buster + Punch is not responsible for the usage or feasibility of installation requirements. This product is not suitable for damp or wet environments.

FINISH & SKU NUMBERS

sku	finish	size
GTK-055138	● brass	2G

CARE INSTRUCTIONS

Wipe with a dry lint free cloth with no loose hairs, avoid using any chemicals. Please note that finishes may age naturally with time and regular use.