

## 2G WALL PLATE / FOR 2 DIMMERS OR TOGGLES

---

**ACTION: SWITCH PLATE**

---

**KNURL: N/A**

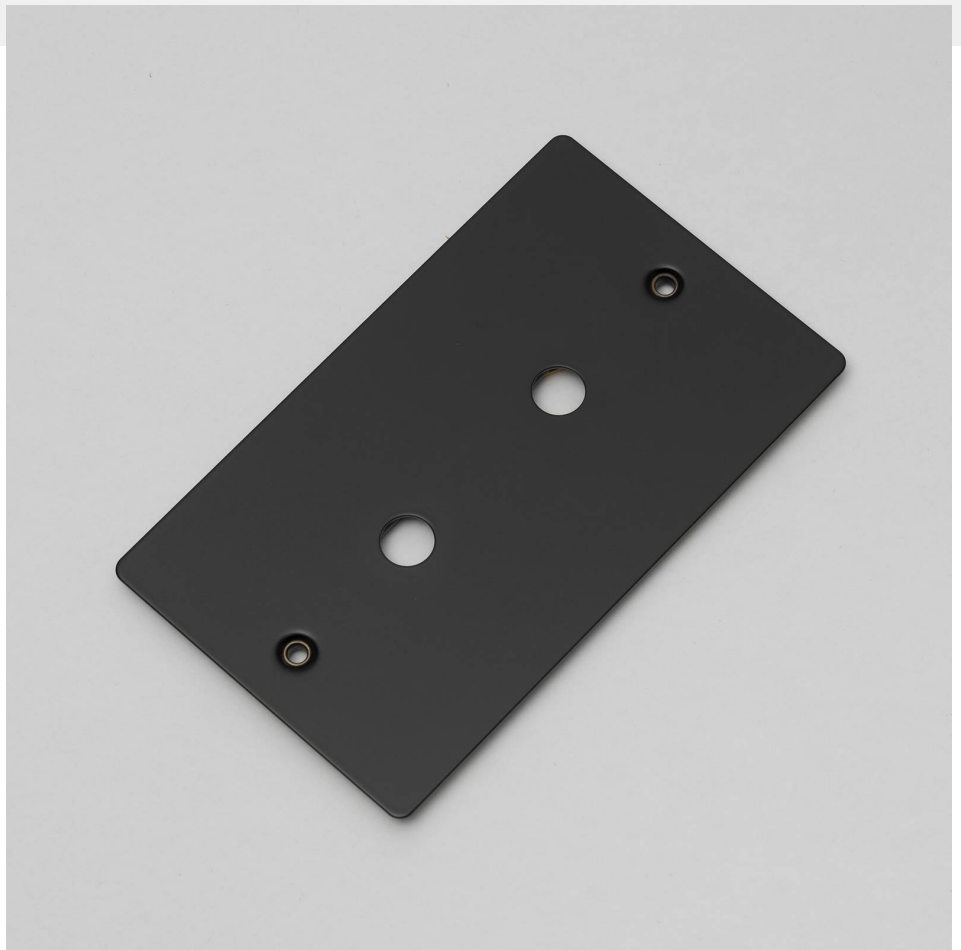
---

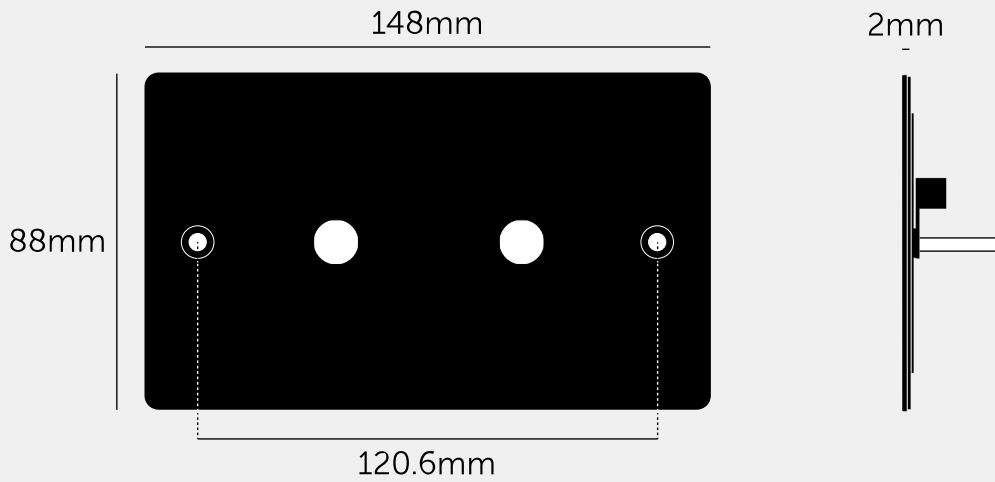
**RANGE: DIMMER / TOGGLE WALL PLATE**

---

A modular 2G wall plate made from solid metal and available in a range of Buster + Punch finishes. Pair with two modules (dimmers, toggles or a combination of both), then finish with our signature detail kits in the knurl and finish of your choice. The result is a future-proof Buster + Punch switch – customised by you and engineered to perfection by us.

See tech spec for more information and, if in doubt, always consult a licensed electrician.






---

#### SPECIFICATIONS

---

A modular UK 2G wall plate for 2 dimmers/toggles, made from solid metal.

Pair with 2x B+P dimmer or toggle modules, and finish with our signature detail kits.

Compatible with UK standard 2G electricity back boxes (120.6mm screw spacing). See dimensions of chosen module for required backbox depth. Box must be flush mounted.

---

#### FINISH & SKU NUMBERS

---

sku:	finish:	size:
GPL-024908	● black	2G
GPL-054909	● brass	2G
GPL-094910	● smoked bronze	2G
GPL-074911	● steel	2G
GPL-144912	● white	2G

---

#### INCLUDED

---

1 x 2G Wall Plate for dimmers / toggles  
 2 x 25mm Electricity Screws  
 2 x 50mm Electricity Screws

---

#### PLEASE NOTE

---

DISCLAIMER: Always consult a trade professional when installing this product. Buster + Punch is not responsible for the usage or feasibility of installation requirements. This product is not suitable for damp or wet environments.

---

#### CARE INSTRUCTIONS

---

Wipe with a dry lint free cloth with no loose hairs, avoid using any chemicals. Please note that finishes may age naturally with time and regular use.