

## **1G WALL PLATE / BLANK**

---

**ACTION: BLANK PLATES**

---

**KNURL: N/A**

---

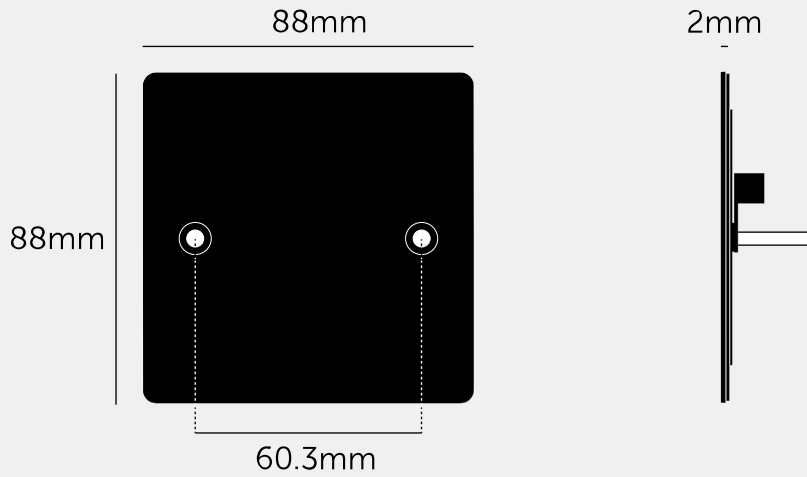
**RANGE: BLANK WALL PLATE**

---

A 1G blank wall plate made from solid metal and available in a range of Buster + Punch finishes. Combine with a B+P detail kit in the variation and finish of your choice for an elevated way to conceal an electrical connection point that matches your other Buster + Punch switches and sockets.

See tech spec for more information and, if in doubt, always consult a licensed electrician.






---

#### SPECIFICATIONS

---

A modular UK 1G wall plate, made from solid metal.

Finish with our signature detail kits.

Compatible with UK standard 1G electricity back boxes (60.3mm screw spacing). See dimensions of chosen module for required backbox depth. Box must be flush mounted.

---

#### INCLUDED

---

- 1 x 1G Wall Plate
- 2 x 25mm Electricity Screws
- 2 x 50mm Electricity Screws

---

#### PLEASE NOTE

---

DISCLAIMER: Always consult a trade professional when installing this product. Buster + Punch is not responsible for the usage or feasibility of installation requirements. This product is not suitable for damp or wet environments.

---

#### FINISH & SKU NUMBERS

---

sku	finish	size
GPL-024903	● black	1G
GPL-054904	● brass	1G
GPL-094905	● smoked bronze	1G
GPL-074906	● steel	1G
GPL-144907	● white	1G

---

#### CARE INSTRUCTIONS

---

Wipe with a dry lint free cloth with no loose hairs, avoid using any chemicals. Please note that finishes may age naturally with time and regular use.