

**1G WALL PLATE /
FOR 2 DIMMERS
ONLY**

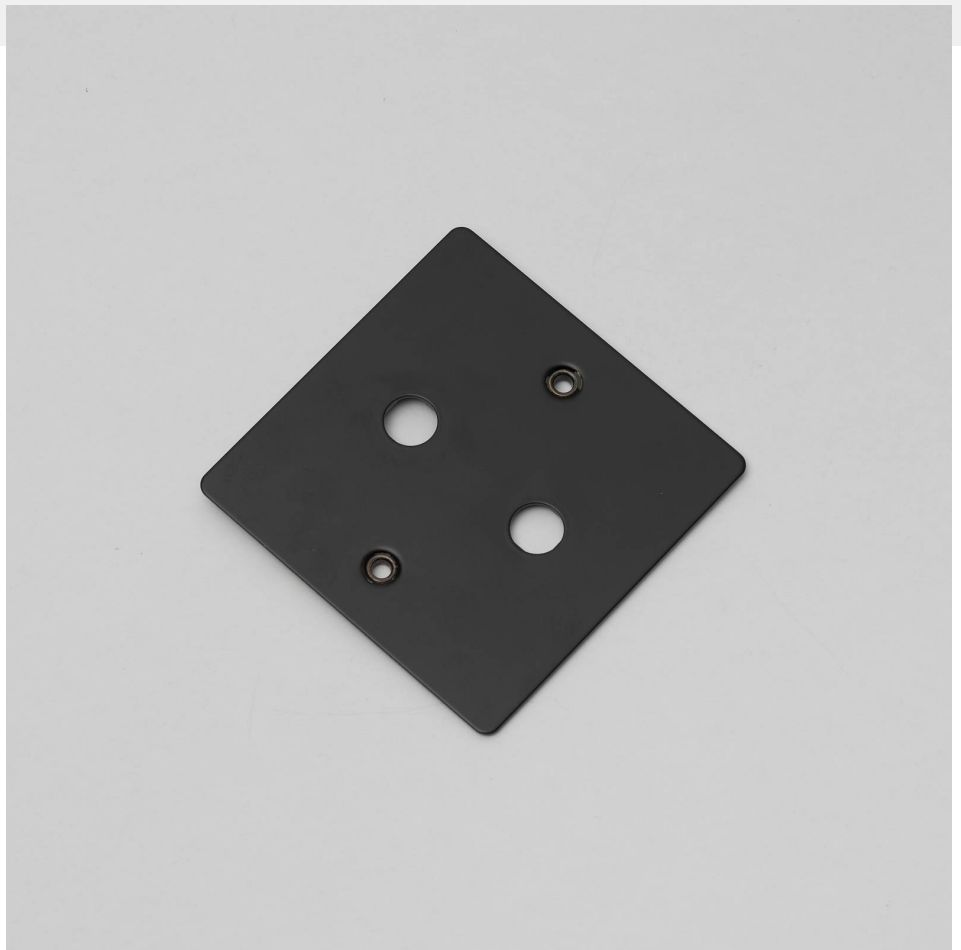
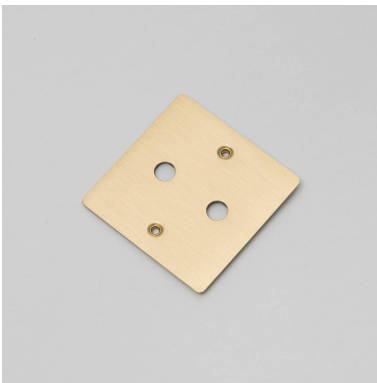
ACTION: SWITCH PLATE

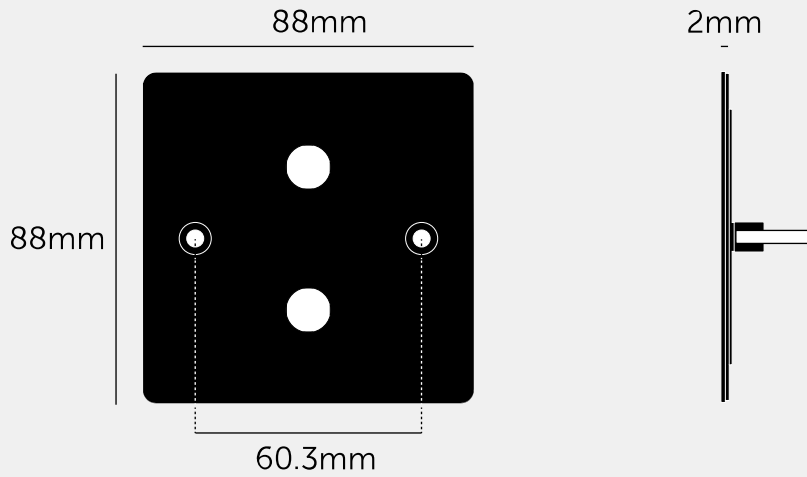
KNURL: N/A

RANGE: DIMMER WALL PLATE

A modular 1G wall plate made from solid metal and available in a range of Buster + Punch finishes. Combine with two B+P dimmer modules and finish with our signature detail kits in the knurl and finish of your choice. The result is a future-proof Buster + Punch switch – customised by you and engineered to perfection by us.

See tech spec for more information and, if in doubt, always consult a licensed electrician.





SPECIFICATIONS

A modular UK 1G wall plate for 2 dimmers, made from solid metal.

Pair with 2 x B+P dimmer modules, and finish with our signature detail kits.

Compatible with UK standard 1G electricity back boxes (60.3mm screw spacing). See dimensions of chosen module for required backbox depth. Box must be flush mounted.

INCLUDED

1 x 1G Wall Plate for 2 dimmers
 2 x 25mm Electricity Screws
 2 x 50mm Electricity Screws

PLEASE NOTE

DISCLAIMER: Always consult a trade professional when installing this product. Buster + Punch is not responsible for the usage or feasibility of installation requirements. This product is not suitable for damp or wet environments.

FINISH & SKU NUMBERS

sku	finish	size
GPL-024101	● black	1G
GPL-054100	● brass	1G
GPL-454099	● smoked bronze	1G
GPL-074098	● steel	1G
GPL-144102	● white	1G

CARE INSTRUCTIONS

Wipe with a dry lint free cloth with no loose hairs, avoid using any chemicals. Please note that finishes may age naturally with time and regular use.