

**1G WALL PLATE /  
FOR 1 MODULE  
45MM**

---

**ACTION: MODULE PLATE**

---

**KNURL: N/A**

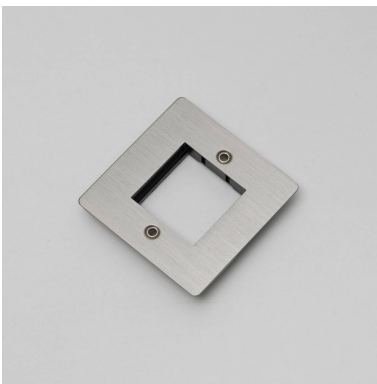
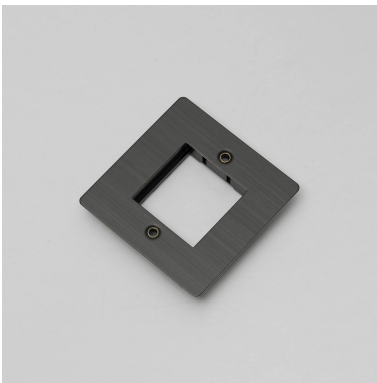
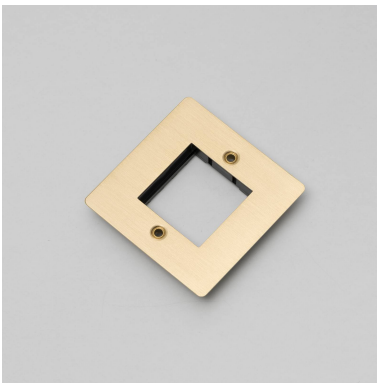
---

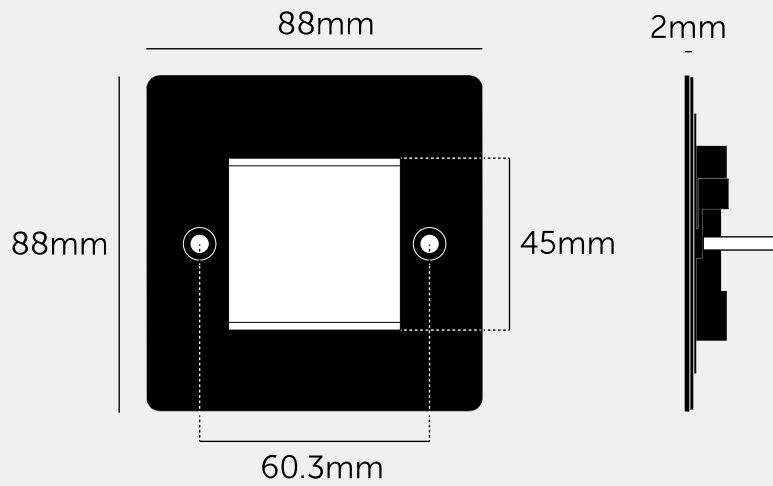
**RANGE: 45MM MODULE WALL PLATE**

---

A modular 1G wall plate made from solid metal and available in a range of Buster + Punch finishes. Combine with a single B+P 45mm module to create a future-proof Buster + Punch socket – customised by you and engineered to perfection by us.

See tech spec for more information and, if in doubt, always consult a licensed electrician.






---

#### SPECIFICATIONS

---

A modular UK 1G wall plate for 1x 45mm electricity module, made from solid metal.

Pair with 1 x B+P 45mm electricity modules, and finish with our signature detail kits.

Compatible with UK standard 1G electricity back boxes (60.3mm screw spacing). See dimensions of chosen module for required backbox depth. Box must be flush mounted.

---

#### FINISH & SKU NUMBERS

---

sku:	finish:	size:
GPL-024111	● black	1G
GPL-054110	● brass	1G
GPL-454109	● smoked bronze	1G
GPL-074108	● steel	1G
GPL-144112	● white	1G

---

#### INCLUDED

---

1 x 1G Wall Plate for 1 45mm Module  
 2 x 25mm Electricity Screws  
 2 x 50mm Electricity Screws

---

#### PLEASE NOTE

---

DISCLAIMER: Always consult a trade professional when installing this product. Buster + Punch is not responsible for the usage or feasibility of installation requirements. This product is not suitable for damp or wet environments.

---

#### CARE INSTRUCTIONS

---

Wipe with a dry lint free cloth with no loose hairs, avoid using any chemicals. Please note that finishes may age naturally with time and regular use.