

**DIMMER MODULE /
120W LED / 2 WAY /
STANDARD**

ACTION: DIMMER MODULE

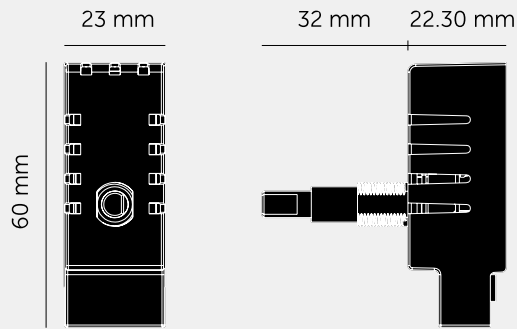
KNURL: N/A

RANGE: DIMMER MODULE

A 2-Way 120W LED dimmer module, with a soft rotary action, for use with Buster + Punch 's custom switches. Optimised for use with all B+P lighting products. Combine with a wall plate and detail kit in the finish and knurl of your choice to create a future-proof Buster + Punch dimmer – customised by you and engineered to perfection by us.

See tech spec for more information and compatibility. If in doubt, always consult a licensed electrician.





SPECIFICATIONS

Style: Push On/Off Rotary Dimmer
 Dimming Type: Trailing edge (native, default) and leading edge (simulated)
 Input: 230-240 VAC 50Hz
 Load: LED 5-120W / HAL/INC 60-400W
 Intelligent soft-start
 BS EN 60669-2-1
 Certified for use in UK, Europe and EAEU:
 UKCA / CE / EAC

For use with standard 2-way and 3-way wiring accessories. Maximum one dimmer module per circuit.

Not compatible with retractive switches and Buster + Punch multipoint dimmers.

Not compatible with non-dimmable lamps & fixtures, compact fluorescent lamps (CFLs) or electric motors (e.g. fans).

Not compatible with native TRIAC (leading edge) dimmable drivers.

Suitable for use with good quality ELV electronic drivers only. Certain transformers & drivers may not behave according to their power rating when used with a dimmer. In case of issues, change your driver(s), remove one or more driver from the circuit.

The dimmer switch incorporates a soft-start feature, which may result in a 1-2 second delay before full illumination to reduce inrush current and extend lamp life.

This module is custom to Buster + Punch and works only with our Cross and Linear knurled dimmer knobs.

Note: rotary action is smooth and silent during operation.

INCLUDED

1 x Dimmer Module
 1 x Anti-Rotation Adapter

PLEASE NOTE

DISCLAIMER: Always consult a trade professional when installing this product. Buster + Punch is not responsible for the usage or feasibility of installation requirements. This product is not suitable for damp or wet environments.

FINISH & SKU NUMBERS

sku	finish	size
UK-DI-MO-LED-A		1G

CARE INSTRUCTIONS

Wipe with a dry lint free cloth with no loose hairs, avoid using any chemicals. Please note that finishes may age naturally with time and regular use.