

## THE ROCKSTAR

---

**ACTION: BAR**

---

**KNURL: CROSS**

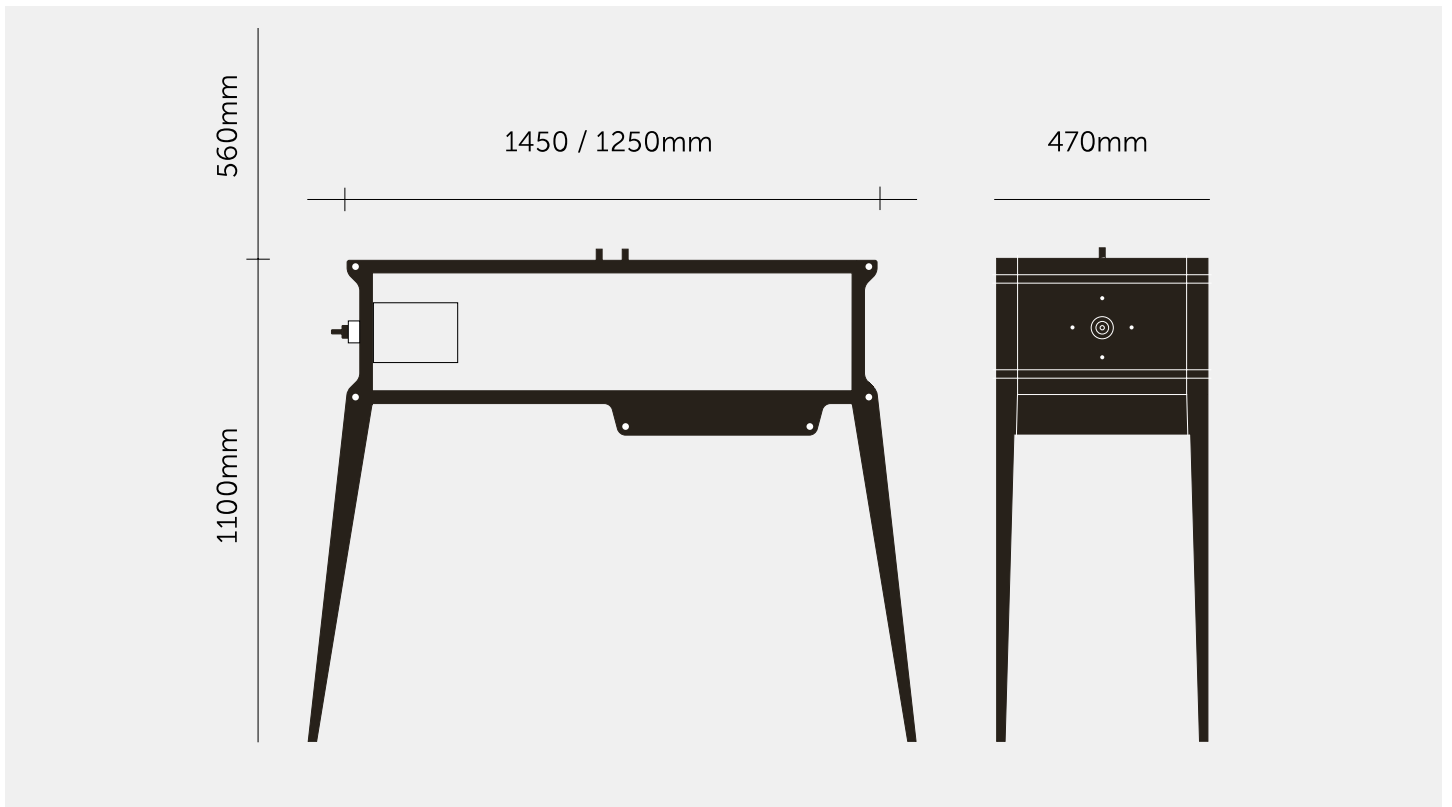
---

**RANGE: FURNITURE**

---

Everyone knows a good ROCKSTAR steals the show and ours is no different. Our whisky bar is handmade from solid wood, has a stitched back panel and is fitted with a knurled solid metal light fitting, complete with a snake's heat cage for protection. The bar is then finished with our signature coin screws and a set of knurled furniture handles. The bar has mechanical soft-close doors, and comes with foldable legs attached with solid metal machined brackets - as there is no point having a Rockstar in your house if you can't get it through the door!






---

#### SPECIFICATIONS

---

E27 screw fitting  
 200-240V  
 IP20  
 Maximum 40W bulb  
 4W bulb included

Fabric has been treated with a flame retardant solution and is compliant with the following standards;  
 BS 5852:2006  
 BS EN 1021-1:2014\*  
 BS EN 1021-2:2014\*

\*American walnut & grey berry silk finish only

---

#### INCLUDED

---

1 x Rockstar Bar

---

#### PLEASE NOTE

---

DISCLAIMER: Buster + Punch is not responsible for the usage or feasibility of installation requirements. This product is not suitable for damp or wet environments.

---

#### FINISH & SKU NUMBERS

---

sku	finish	size
UK-RS-WA-BR-GBS-A	● american walnut	

---

#### CARE INSTRUCTIONS

---

WOOD: We recommend using a soft cloth to wipe the surface. If necessary use a delicate cleaning agent that is recommended for wooden surfaces. Do not use agents containing ammonia, alcohol, bleach or substances with abrasive properties. If by accident something spills, immediately wipe clean to avoid stains.  
 METAL: Wipe with damp cloth with no loose hairs, avoid using any chemicals. Please note all finishes are prone to aging.