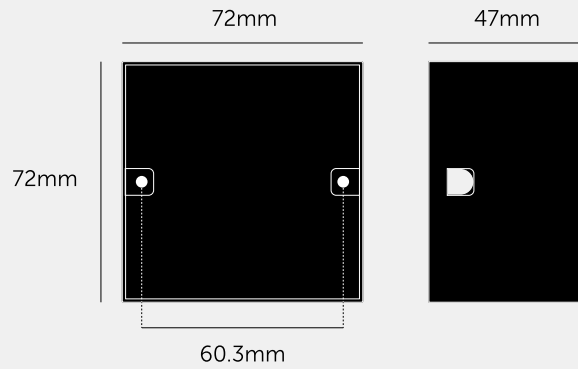


BACK BOX / METAL

A range of back boxes for every need.





SPECIFICATIONS

1G back box technical information:

Height: 70mm

Width: 70mm

Depth: 47mm

Knockouts: 25mmØ

2G back box technical information:

Height: 70mm

Width: 140mm

Depth: 47mm

Knockouts: 25mmØ

INCLUDED

1 x Metal Backbox

PLEASE NOTE

DISCLAIMER: Always consult a trade professional when installing this product. Buster + Punch is not responsible for the usage or feasibility of installation requirements. This product is not suitable for damp or wet environments.

FINISH & SKU NUMBERS

sku	finish	size
SB618		1G METAL

CARE INSTRUCTIONS

Wipe with a dry lint free cloth with no loose hairs, avoid using any chemicals. Please note that finishes may age naturally with time and regular use.