

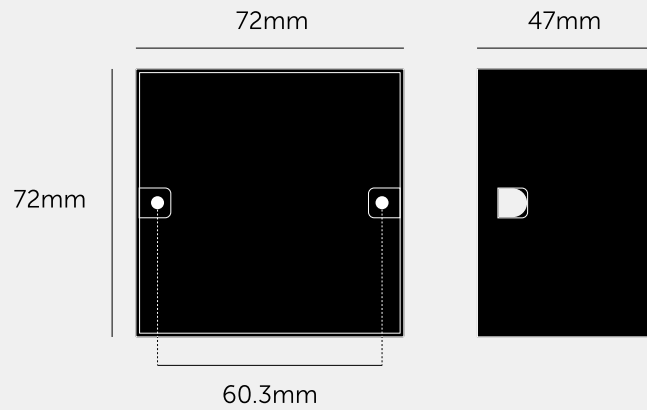
BACK BOX / PLASTERBOARD

ACTION: BACK BOX

RANGE: BACK BOXES

A range of back boxes for every need.





SPECIFICATIONS

1G back box technical information:

Height: 70mm

Width: 70mm

Depth: 47mm

Knockouts: 25mm

2G back box technical information:

Height: 70mm

Width: 140mm

Depth: 47mm

Knockouts: 25mm

FINISH & SKU NUMBERS

| sku: | finish: | size: |
|-------|---------|------------|
| SB632 | | 1G PLASTIC |
| SB631 | | 2G PLASTIC |

INCLUDED

PLEASE NOTE

DISCLAIMER: Always consult a trade professional when installing this product. Buster + Punch is not responsible for the usage or feasibility of installation requirements. This product is not suitable for damp or wet environments.

CARE INSTRUCTIONS

Wipe with a dry lint free cloth with no loose hairs, avoid using any chemicals. Please note that finishes may age naturally with time and regular use.