

## BACK BOX

---

**ACTION: BACK BOX**

---

**RANGE: BACK BOXES**

---

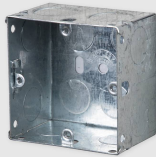
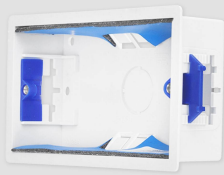
A range of back boxes for every need. They are available in 1G or 2G, made from steel or plastic.

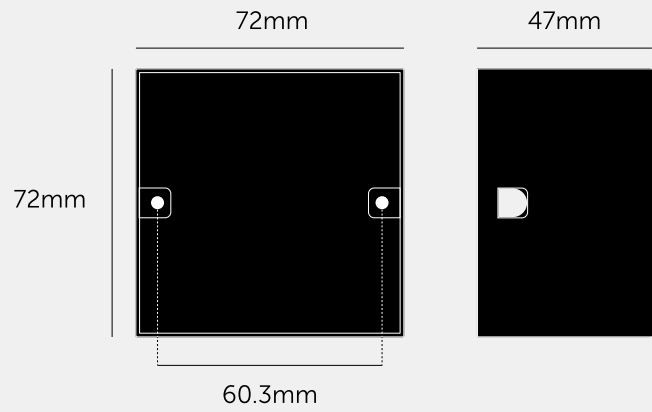
SB632 = 1G/ Plastic

SB631 = 2G/ Plastic

SB618 = 1G/ Metal

SB628 = 2G/ Metal






---

**SPECIFICATIONS**

---



---

**INCLUDED**

---



---

**FINISH & SKU NUMBERS**

---

sku:	finish:	size:
SB632		1G PLASTIC
SB631		2G PLASTIC
SB618		1G METAL
SB628		2G METAL

---

**PLEASE NOTE**

---

DISCLAIMER: Always consult a trade professional when installing this product. Buster + Punch is not responsible for the usage or feasibility of installation requirements. This product is not suitable for damp or wet environments.

---

**CARE INSTRUCTIONS**

---

Wipe with a dry lint free cloth with no loose hairs, avoid using any chemicals. Please note that finishes may age naturally with time and regular use.