

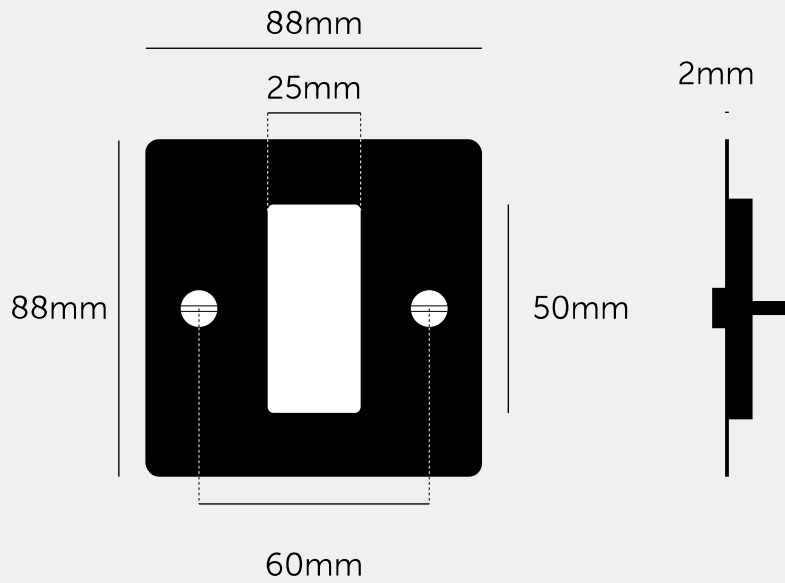
**1G EURO PLATE / 1
MODULE**

ACTION: ELECTRICITY WALL PLATE

RANGE: EURO WALL PLATE

Euro Plates made from solid metal and finished with our signature solid metal penny buttons. Euro Plates can be fitted with module inserts to suit all your electrical, data, sound & AV needs. Module inserts can be purchased separately from us.





SPECIFICATIONS

Single euro plate
1 module

To be combined with module inserts which are sold separately.

All plates should be combined with black inserts except for white plates who should be combined with white inserts.
CE-tested for use throughout Europe.

FINISH & SKU NUMBERS

sku:	finish:	size:
UK-MG-PL-1M-BL-A	● black	1G
UK-MG-PL-1M-BR-A	● brass	1G
UK-MG-PL-1M-SM-A	● smoked bronze	1G
UK-MG-PL-1M-ST-A	● steel	1G
UK-MG-PL-1M-WH-A	● white	1G

INCLUDED

1 x 1G Euro Plate

PLEASE NOTE

DISCLAIMER: Always consult a trade professional when installing this product. Buster + Punch is not responsible for the usage or feasibility of installation requirements. This product is not suitable for damp or wet environments.

CARE INSTRUCTIONS

Wipe with a dry lint free cloth with no loose hairs, avoid using any chemicals. Please note that finishes may age naturally with time and regular use.