

**THUMBTURN LOCK /
CAST / SMOKED
BRONZE**

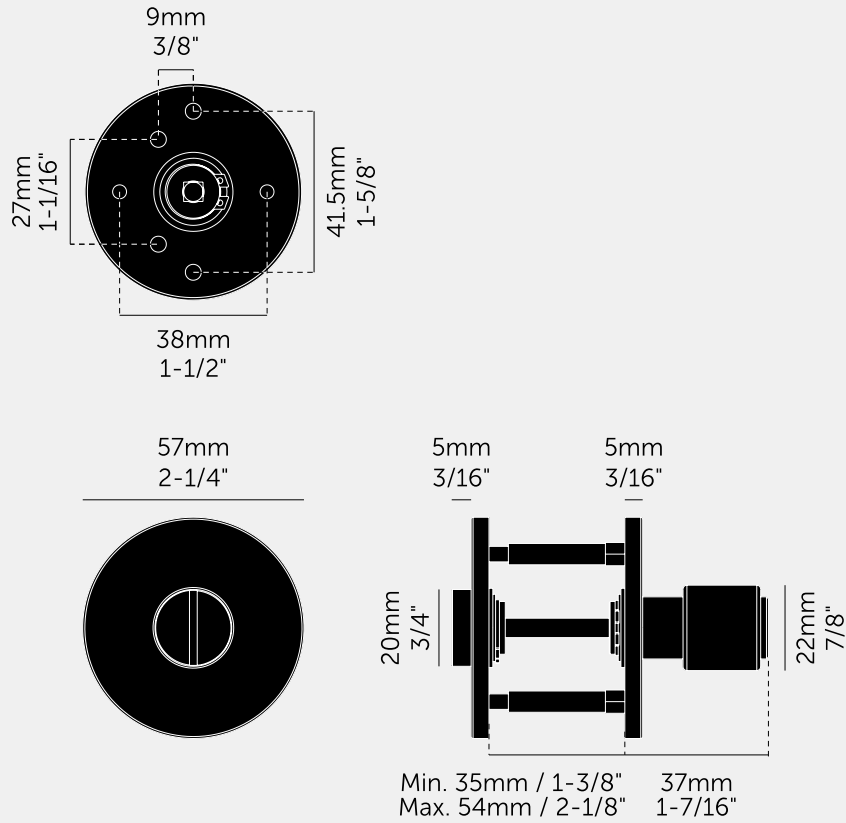
ACTION: THUMBTURN LOCK

KNURL: CAST

RANGE: THUMBTURN LOCKS

A thumbturn lock made from solid metal, featuring our unique rough cast knuckle. Works great on all internal bathroom and toilet doors and can be combined with our matching door accessories.





SPECIFICATIONS

A thumbturn lock, with an architectural 4mm thick rose.

Designed for installation onto locksets or deadbolt latches with 27, 38 and 41.5mm centre-to-centre distances.

Compatible with either tubular deadbolt latches or mortise locks. Deadbolt latch sold separately.

Fits doors thickness of minimum 35mm / 1-3/8" to maximum 54mm / 2" with supplied fixings. For thicker doors, longer through bolts and a longer spindle will need to be sourced.

FINISH & SKU NUMBERS

sku:	finish:	size:
UDD-454506	● smoked bronze	

INCLUDED

1 x thumbturn lock 2 x M4 x 35mm through bolts 1 x 5mm x 5mm x 46mm spindle 1 x 5mm x 5mm x 64mm spindle

PLEASE NOTE

DISCLAIMER: Always consult a trade professional when installing this product. Buster + Punch is not responsible for the usage or feasibility of installation requirements. This product is not suitable for damp or wet environments. For internal use only. Not for commercial use.

CARE INSTRUCTIONS

Clean regularly with a soft, dry cloth or duster. Wash periodically using a soft cloth and mild soapy water then dry immediately with a clean, soft cloth. Rubbing or wiping should be carried out in the direction of the polish lines, not across them. DO NOT use oily rags or greasy cloths when wiping the product surface. All finishes prone to ageing.