

TOWEL RAIL / CAST

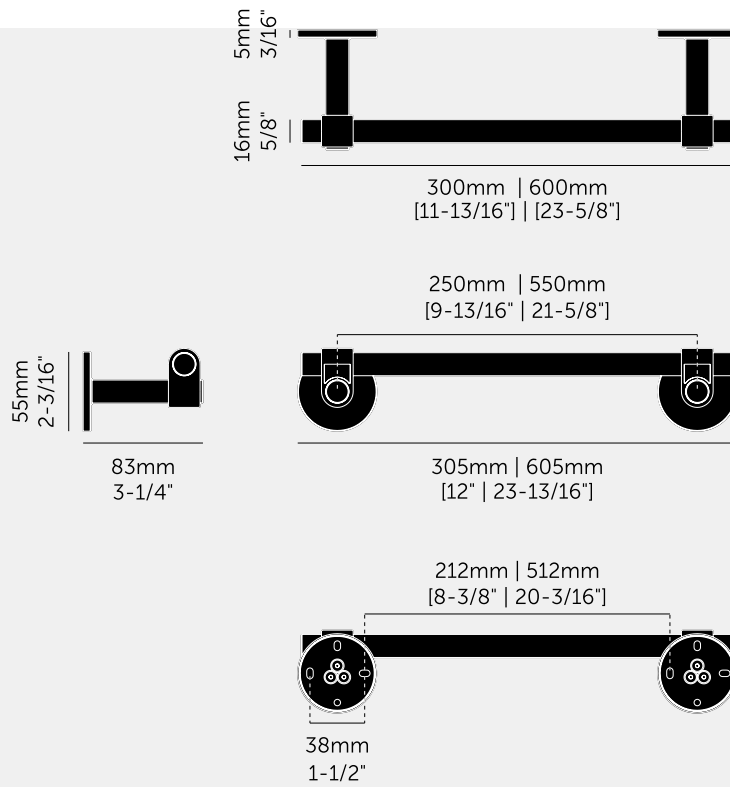
ACTION: TOWEL RAIL

KNURL: CAST

RANGE: BATHROOM

A towel rail made from solid stainless steel, featuring our signature rough-cast knuckle and hand polished solid metal bar. Thanks to the casting process, no two knuckles are the same. Suitable for all interior spaces, including bathrooms. Comes in two sizes; small and medium.





SPECIFICATIONS

A towel rail made from solid stainless steel, featuring our signature rough-cast knuckle and hand polished solid metal bar.

Small - 300mm / 11-13/16 inches
 Medium - 600mm / 23-5/8 inches

INCLUDED

- 1 x towel rail
- 2 x 53mm inner rose cover and washers
- 8 x M4x20mm countersunk woodscrews
- 8 x 30mmx4mm wall plugs

PLEASE NOTE

DISCLAIMER: Always consult a trade professional when installing this product. Buster + Punch is not responsible for the usage or feasibility of installation requirements.

FINISH & SKU NUMBERS

sku	finish	size
UTR-074269	● steel	300MM / 11.8 INCHES
UTR-484270	● welders black	300MM / 11.8 INCHES
UTR-074272	● steel	600MM / 23.6 INCHES
UTR-484273	● welders black	600MM / 23.6 INCHES

CARE INSTRUCTIONS

Clean regularly with a soft, dry cloth or duster. Wash periodically using a soft cloth and mild soapy water then dry immediately with a clean, soft cloth. Rubbing or wiping should be carried out in the direction of the polish lines, not across them. DO NOT use oily rags or greasy cloths when wiping the product surface. All finishes prone to ageing.