

THUMBTURN LOCK / CROSS

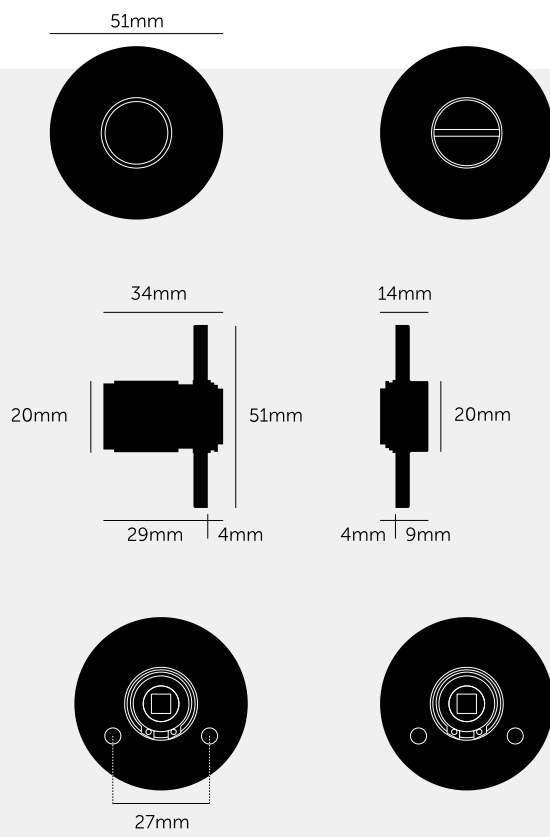
ACTION: THUMBTURN LOCK

KNURL: CROSS

RANGE: THUMBTURN LOCKS

An indoor thumbturn lock made from solid metal. A solid knob with diamond cut knurled detailing, ensuring pleasure with every touch. Works great on internal bathroom and toilet doors and can be teamed up with our matching door lever handles.





SPECIFICATIONS

A thumbturn lock, with an architectural 4mm thick rose. Designed for installation onto locksets or deadbolt latches with 27mm (SWE) or 38mm (UK) centre-to-centre distances. Compatible with either tubular deadbolt latches or mortise locks. Fits doors of thickness: minimum 37mm to maximum 58mm (with supplied fixings*).* For thicker doors, longer through bolts and a longer spindle will need to be sourced.

INCLUDED

1 x Thumbturn Lock Set
1 x 5mm x 5mm Square Spindle

FINISH & SKU NUMBERS

sku	finish	size
SW-TT-27-BL-A	● black	
UK-TT-38-BL-A	● black	
SW-TT-27-BR-A	● brass	
UK-TT-38-BR-A	● brass	
SW-TT-27-SM-A	● smoked bronze	
UK-TT-38-SM-A	● smoked bronze	
SW-TT-27-ST-A	● steel	
UK-TT-38-ST-A	● steel	
CDT-134473	● warm sunset	

PLEASE NOTE

DISCLAIMER: Always consult a trade professional when installing these thumbturn locks. Buster + Punch is not responsible for the usage or feasibility of installation requirements. Our door handles are intended for internal use only. Not for commercial use.

CARE INSTRUCTIONS

Wipe with damp cloth with no loose hairs, avoid using any chemicals. All finishes are prone to aging.