

THE POPSTAR BAR / EU

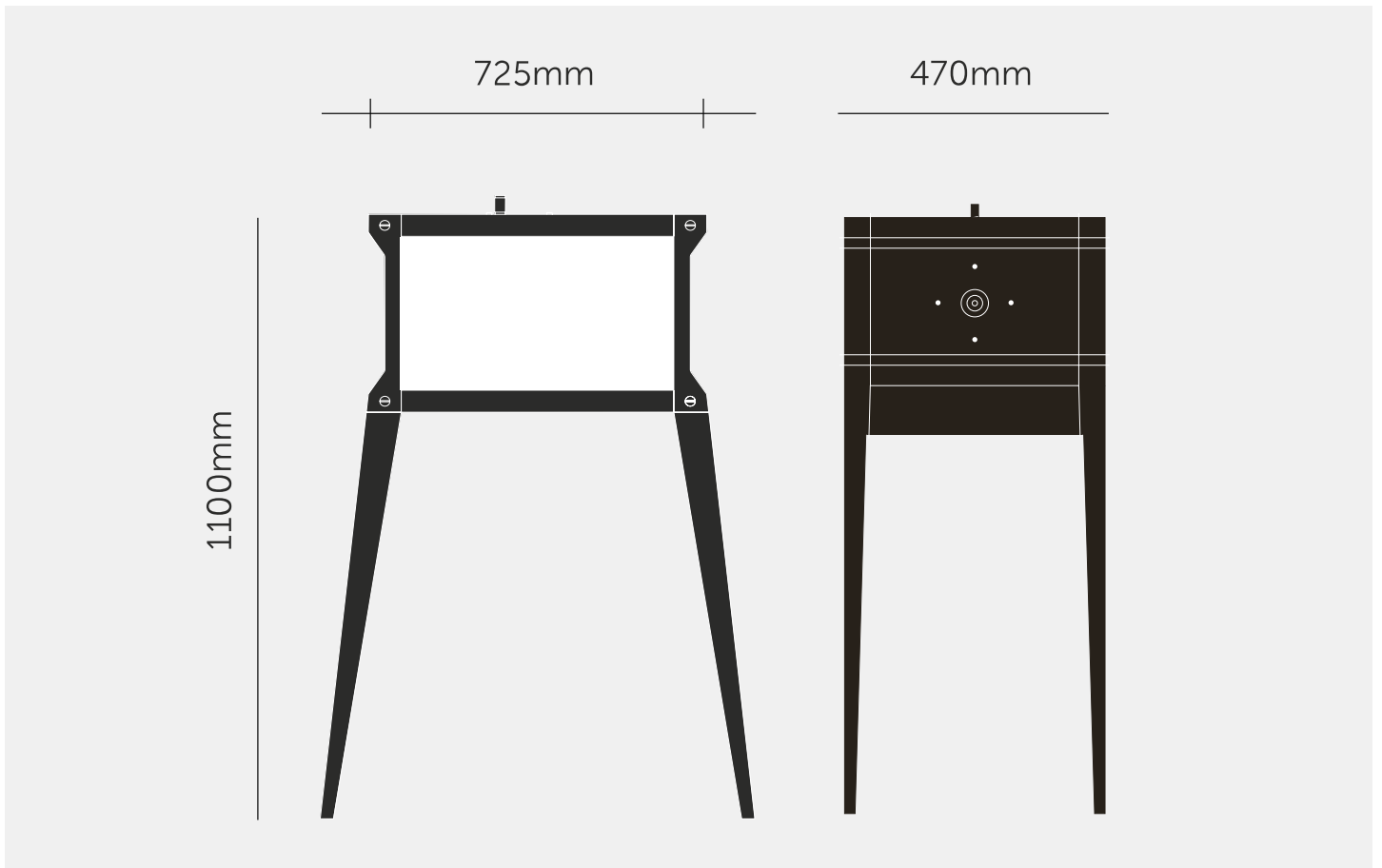
ACTION: BAR

KNURL: CROSS

RANGE: FURNITURE

The bar has a quilted back panel and is fitted with a knurled light fitting. On the top of the bar sits a granite 'mixing' platform for your drinks. The bar is then finished with our signature coin screws, a knurled furniture handle and a diamond-etched logo plate.





SPECIFICATIONS

E27 screw fitting
 200-240V
 Maximum 40W bulb
 2W bulb included
 Fabric has been treated with a flame retardant solution and is compliant with the following standards;
 BS EN 1021-1:2014
 BS EN 1021-2:2014
 BS 5852:2006

FINISH & SKU NUMBERS

sku:	finish:	size:
EU-PS-BL-SM-BM-GBS-	● black oak	
A		
EU-PS-OAK-ST-WM-BL-	● natural oak	
A		

INCLUDED

1 x Popstar Bar

PLEASE NOTE

DISCLAIMER: Buster + Punch is not responsible for the usage or feasibility of installation requirements. This product is not suitable for damp or wet environments.

CARE INSTRUCTIONS

Oak: We recommend using a soft cloth with water or if necessary a delicate cleaning agent that is recommended for wooden surfaces. Do not use agents containing ammonia, alcohol, bleach or substances with abrasive properties. The washed surface should be wiped clean by a dry cloth. If by accident something spills, immediately wipe the stain, not allowing too much liquid to contact the furniture surface. Steel / Smoked Bronze: Wipe with damp cloth with no loose hairs, avoid using any chemicals. Please note all finishes are prone to aging.