

**T-BAR / CROSS**

---

**ACTION: T-BAR**

---

**KNURL: CROSS**

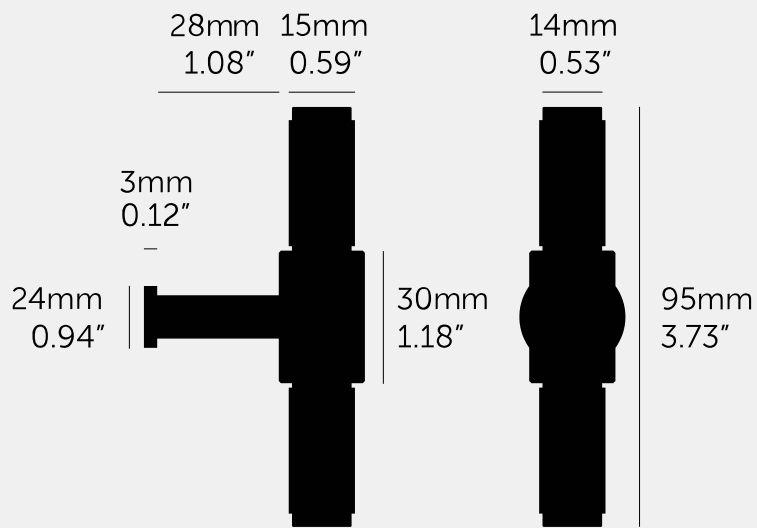
---

**RANGE: T-BARS**

---

A T-Bar handle made from solid metal. A solid base with diamond-cut knurled handle detailing, ensuring pleasure with every touch. Works great on cabinet doors, cupboards, kitchen units and just about anything that can open. Complete with a small disk.






---

#### SPECIFICATIONS

---

Handle is fitted from behind cabinet door and can not be front face fitted.\*Fits doors & draws of max 20mm.

---

#### INCLUDED

---

1x T-Bar  
1 x M5 x 30 mm screw  
1 x Washer  
2 x Counter Sunk Wood Screw  
2 x Coin screws  
1x Back plate

---

#### PLEASE NOTE

---

DISCLAIMER: Always consult a trade professional when installing these pull bars. Buster + Punch is not responsible for the usage or feasibility of installation requirements. This product is not suitable for damp or wet environments.

---

#### FINISH & SKU NUMBERS

---

sku:	finish:	size:
UTB-023975	● black	
UTB-054561	● brass	
UTB-094588	● smoked bronze	
UTB-074567	● steel	
UTB-134487	● warm sunset	

---

#### CARE INSTRUCTIONS

---

Wipe with damp cloth with no loose hairs, avoid using any chemicals. All finishes are prone to aging.