

T-BAR / CROSS

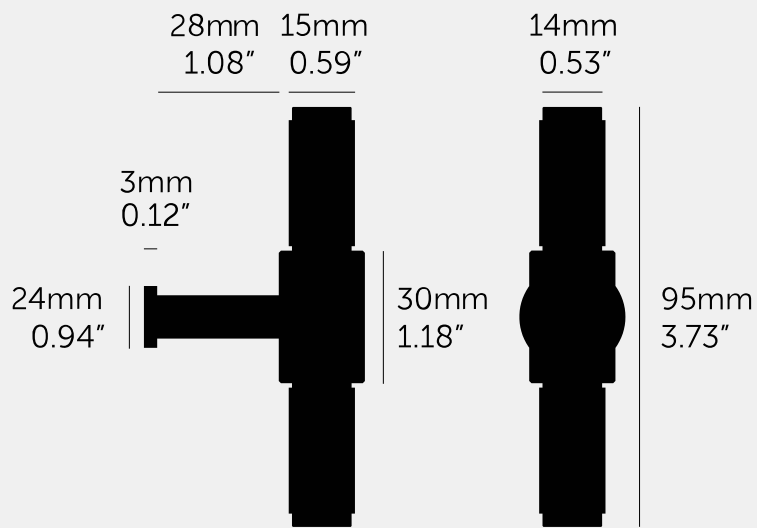
ACTION: T-BAR

KNURL: CROSS

RANGE: T-BARS

A T-Bar handle made from solid metal. A solid base with diamond-cut knurled handle detailing, ensuring pleasure with every touch. Works great on cabinet doors, cupboards, kitchen units and just about anything that can open. Complete with a small disk.





SPECIFICATIONS

Handle is fitted from behind cabinet door and can not be front face fitted.*Fits doors & draws of max 20mm.

INCLUDED

1x T-Bar
1 x M5 x 30 mm screw
1 x Washer
2 x Counter Sunk Wood Screw
2 x Coin screws
1x Back plate

PLEASE NOTE

DISCLAIMER: Always consult a trade professional when installing these pull bars. Buster + Punch is not responsible for the usage or feasibility of installation requirements. This product is not suitable for damp or wet environments.

FINISH & SKU NUMBERS

sku:	finish:	size:
UTB-023975	● black	
UTB-054561	● brass	
UTB-094588	● smoked bronze	
UTB-074567	● steel	
UTB-134487	● warm sunset	

CARE INSTRUCTIONS

Wipe with damp cloth with no loose hairs, avoid using any chemicals. All finishes are prone to aging.