

**T-BAR / PLATE /
CROSS**

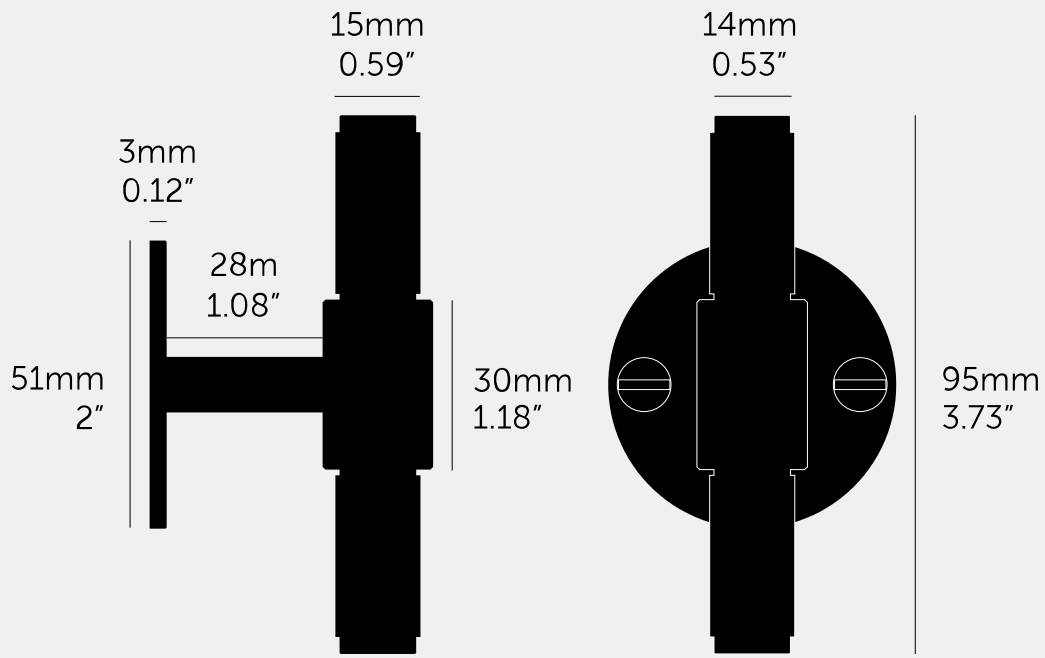
ACTION: T-BAR

KNURL: CROSS

RANGE: T-BARS

A T-Bar handle made from solid metal. A solid base with diamond-cut knurled handle detailing, ensuring pleasure with every touch. Works great on cabinet doors, cupboards, kitchen units and just about anything that can open. Complete with a small disk.





SPECIFICATIONS

Handle is fitted from behind cabinet door and can not be front face fitted.
 *Fits doors & draws of max 20mm.

INCLUDED

1x T-Bar
 1x Mounting Disk
 1 x M5 x 30 mm screw*
 1 x Metal washer
 1x Silicon washer

PLEASE NOTE

DISCLAIMER: Always consult a trade professional when installing this T-Bar. Buster + Punch is not responsible for the usage or feasibility of installation requirements. This product is not suitable for damp or wet environments.

FINISH & SKU NUMBERS

sku:	finish:	size:
UTB-024020	● black	
UTB-054026	● brass	
UTB-454023	● smoked bronze	
UTB-074590	● steel	

CARE INSTRUCTIONS

Wipe with damp cloth with no loose hairs, avoid using any chemicals. All finishes are prone to aging.