

**T-BAR / PLATE /  
CROSS**

---

**ACTION: T-BAR**

---

**KNURL: CROSS**

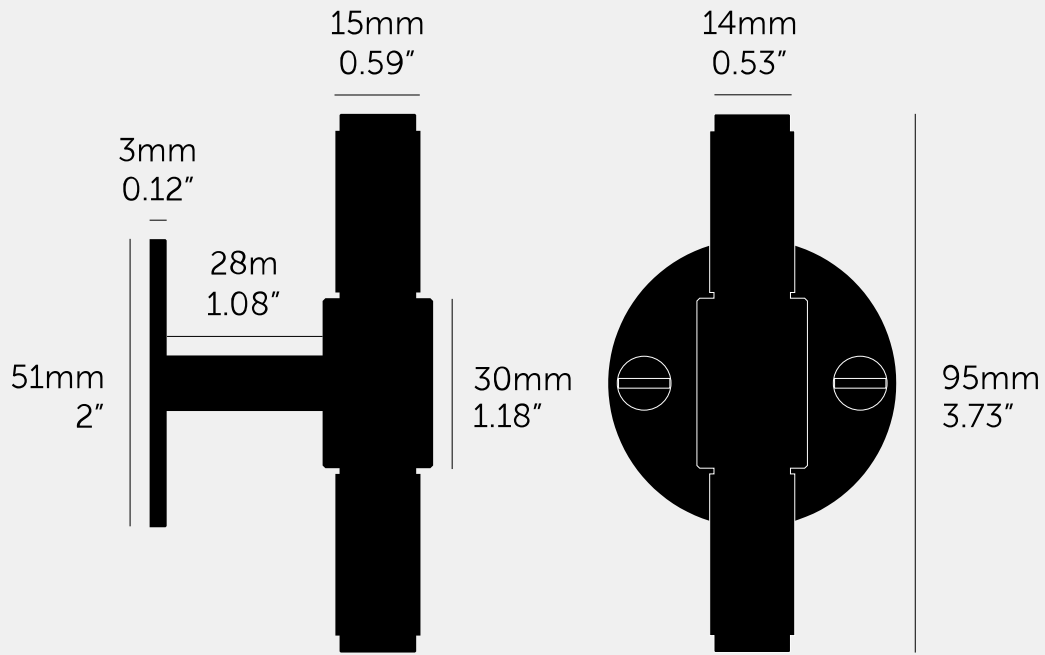
---

**RANGE: T-BARS**

---

A T-Bar handle made from solid metal. A solid base with diamond-cut knurled handle detailing, ensuring pleasure with every touch. Works great on cabinet doors, cupboards, kitchen units and just about anything that can open. Complete with a small disk.






---

#### SPECIFICATIONS

---

Handle is fitted from behind cabinet door and can not be front face fitted.  
 \*Fits doors & draws of max 20mm.

---

#### INCLUDED

---

1x T-Bar  
 1x Mounting Disk  
 1 x M5 x 30 mm screw\*  
 1 x Metal washer  
 1x Silicon washer

---

#### FINISH & SKU NUMBERS

---

sku	finish	size
UTB-024020	● black	
UTB-054026	● brass	
UTB-454023	● smoked bronze	
UTB-074590	● steel	

---

#### PLEASE NOTE

---

DISCLAIMER: Always consult a trade professional when installing this T-Bar. Buster + Punch is not responsible for the usage or feasibility of installation requirements. This product is not suitable for damp or wet environments.

---

#### CARE INSTRUCTIONS

---

Wipe with damp cloth with no loose hairs, avoid using any chemicals. All finishes are prone to aging.