

**DOOR HANDLE SET /
CROSS / SWE /
SPRUNG**

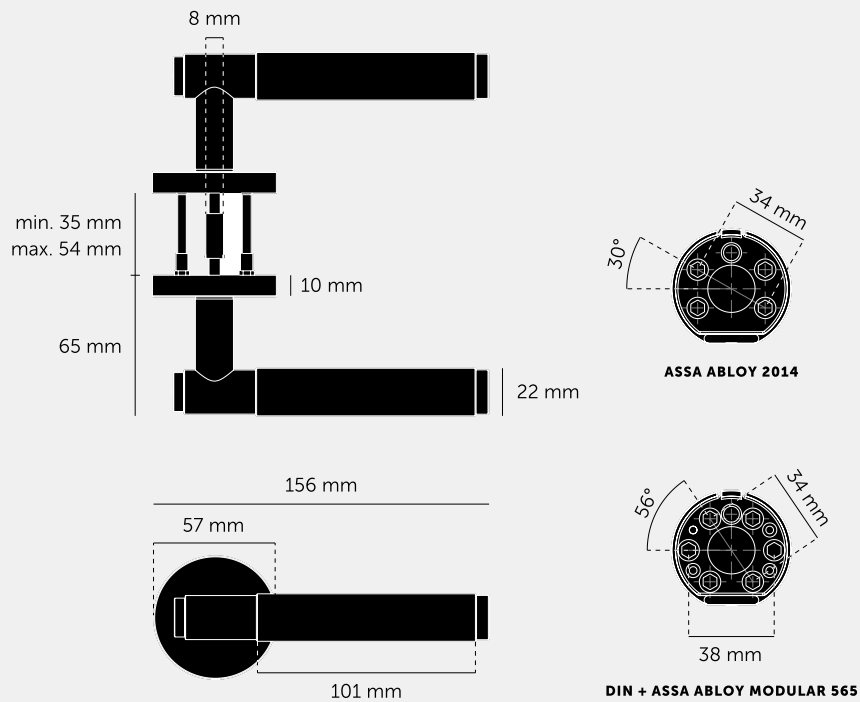
ACTION: DOOR HANDLE

KNURL: CROSS

RANGE: DOOR HANDLES

A pair of sprung door handles made from solid metal. This door handle features our signature, diamond-cut, cross-knurl pattern and is refined by hand. Works great on all internal doors and can be combined with our matching door accessories.





SPECIFICATIONS

A pair of solid metal door handle sets with a 57x10mm thick sprung rose.

Designed for use with Scandinavian 2014 and modular 565 locksets as well as the European (38mm centre distances) specific latches.

Suitable for interior doors only.

Suitable to door thicknesses of 35-54mm. For thicker doors, longer spindle and throughbolts will need to be sourced.

FINISH & SKU NUMBERS

sku:	finish:	size:
SDD-053321	● brass	
SDD-073322	● steel	
SDD-453323	● smoked bronze	
SDD-023324	● welders black	

INCLUDED

- 1 x pair of sprung lever handles
- 1 x 5 x 5 x 100mm spindle
- 2 x M4 x 43mm through bolts
- 4 x bolt bosses
- 8 x countersunk woodscrews
- 1 x allen key
- 2 x door mounting plates to work with ASSA Abloy 565 and 2014 locksets

PLEASE NOTE

DISCLAIMER: Always consult a trade professional when installing this product. Buster + Punch is not responsible for the usage or feasibility of installation requirements. This product is not suitable for damp or wet environments. For internal use only. Not for commercial use.

CARE INSTRUCTIONS

Wipe with damp cloth with no loose hairs, avoid using any chemicals. All finishes are prone to aging.