

**DOOR HANDLE SET /
CAST / SWE /
SPRUNG**

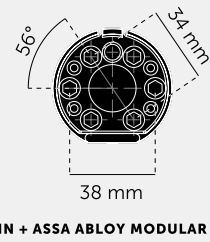
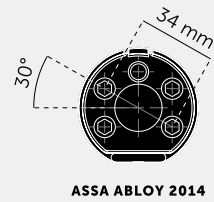
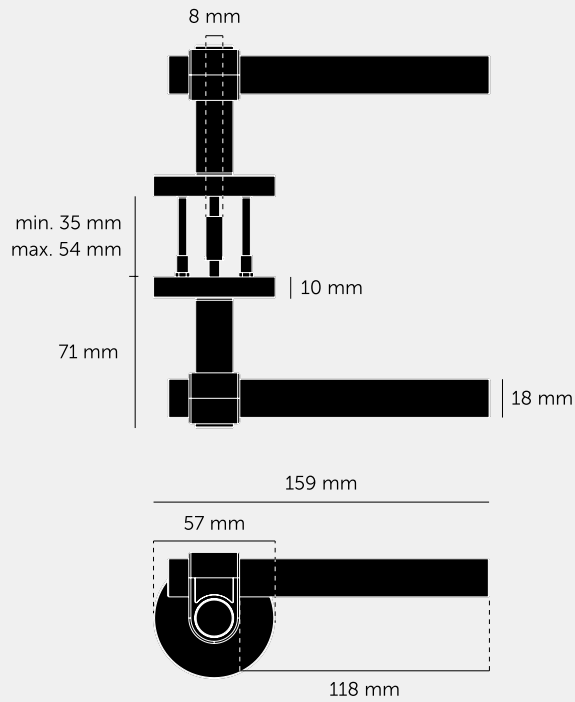
ACTION: DOOR HANDLE

KNURL: CAST

RANGE: DOOR HANDLES

A pair of sprung door handles featuring our unique rough cast knuckles, combined with hand-polished solid metal bars. Works great on all internal doors and can be combined with our matching door accessories.





SPECIFICATIONS

A pair of solid metal door handle sets with a 57x10mm thick sprung rose.

Designed for use with Scandinavian 2014 and modular 565 locksets as well as the European (38mm centre distances) specific latches.

Suitable for interior doors only.

Suitable to door thicknesses of 35-54mm. For thicker doors, longer spindle and throughbolts will need to be sourced.

FINISH & SKU NUMBERS

sku:	finish:	size:
SDD-053329	● brass	
SDD-073330	● steel	
SDD-454516	● smoked bronze	
SDD-023332	● welders black	

INCLUDED

- 1 x pair of sprung lever handles
- 1 x 5 x 5 x 100mm spindle
- 2 x M4 x 43mm through bolts
- 4 x bolt bosses
- 8 x countersunk woodscrews
- 1 x allen key
- 2 x door mounting plates to work with ASSA Abloy 565 and 2014 locksets

PLEASE NOTE

DISCLAIMER: Always consult a trade professional when installing this product. Buster + Punch is not responsible for the usage or feasibility of installation requirements. This product is not suitable for damp or wet environments. For internal use only. Not for commercial use.

CARE INSTRUCTIONS

Clean regularly with a soft, dry cloth or duster. Wash periodically using a soft cloth and mild soapy water then dry immediately with a clean, soft cloth. Rubbing or wiping should be carried out in the direction of the polish lines, not across them. DO NOT use oily rags or greasy cloths when wiping the product surface. All finishes prone to ageing.