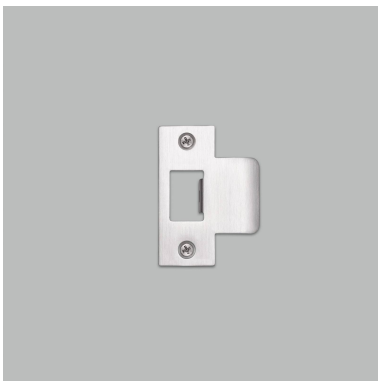
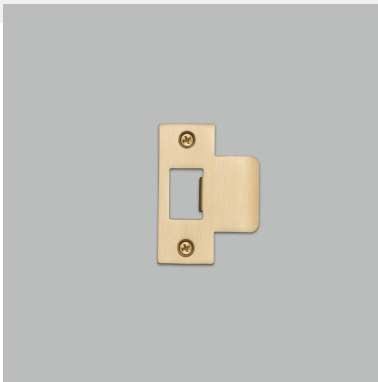


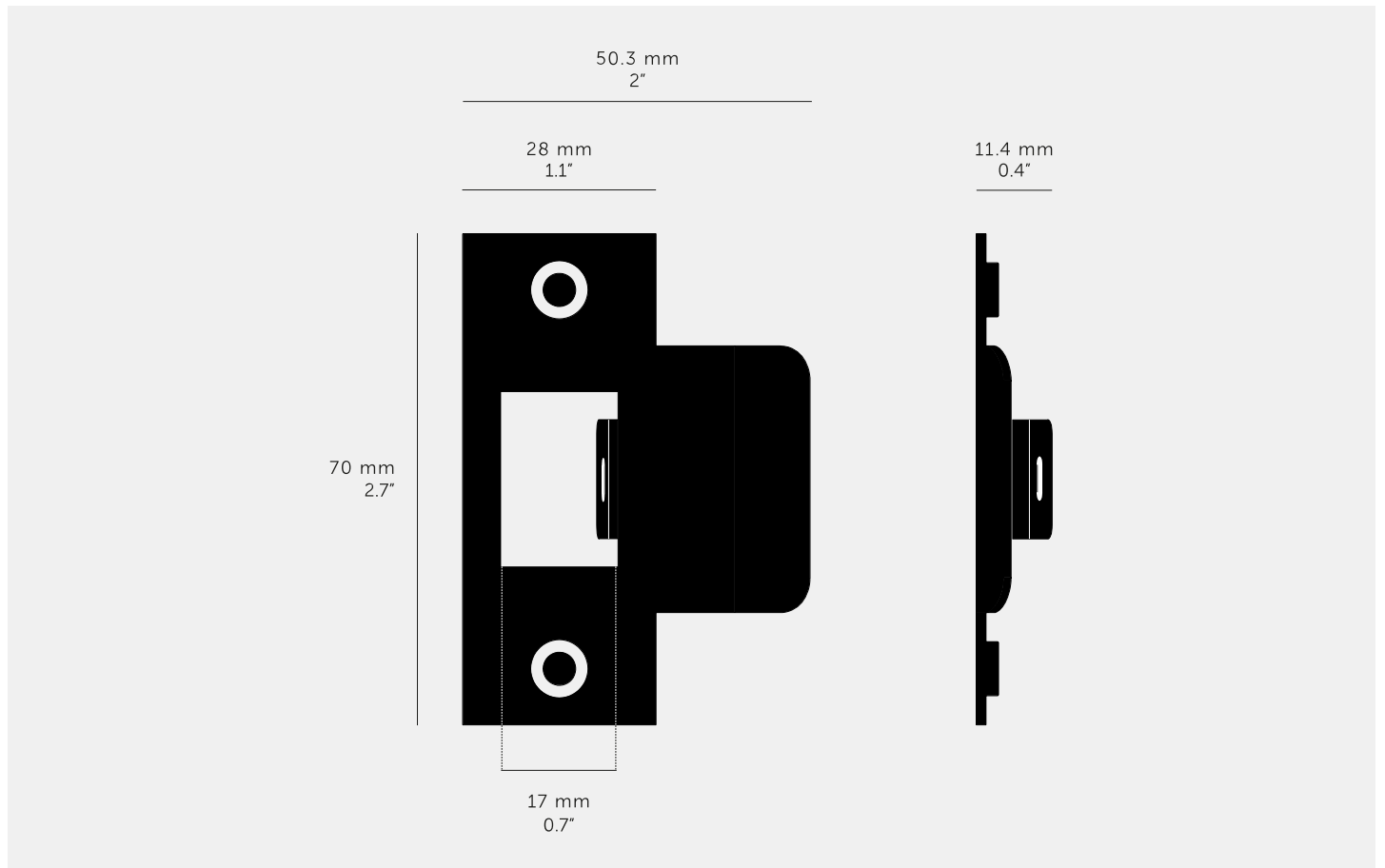
**STRIKE PLATE KIT /
T SHAPED / 54MM
DOOR**

ACTION: STRIKE PLATES

RANGE: STRIKE PLATES

A solid metal strike plate designed to complement Buster + Punch door hardware and latch accessories, for a consistent feel everytime you open the door. Works great on all internal doors





SPECIFICATIONS

A strike plate made from solid metal, with counter sunk screw holes. Designed to complement Buster + Punch door hardware and latch accessories. Fits 2" doors.

INCLUDED

1 x 2" Strike Plate
 2 x M4 x 62mm through bolts
 4 x Woodscrews in matching finish

FINISH & SKU NUMBERS

sku:	finish:	size:
UDS-021778	● black	
UDS-051776	● brass	
UDS-351780	● gun metal	
UDS-071775	● steel	

PLEASE NOTE

DISCLAIMER: Always consult a trade professional when installing these strike plates. Buster + Punch is not responsible for the usage or feasibility of installation requirements. This product is not suitable for damp or wet environments

CARE INSTRUCTIONS

Wipe with damp cloth with no loose hairs, avoid using any chemicals. All finishes are prone to aging.