

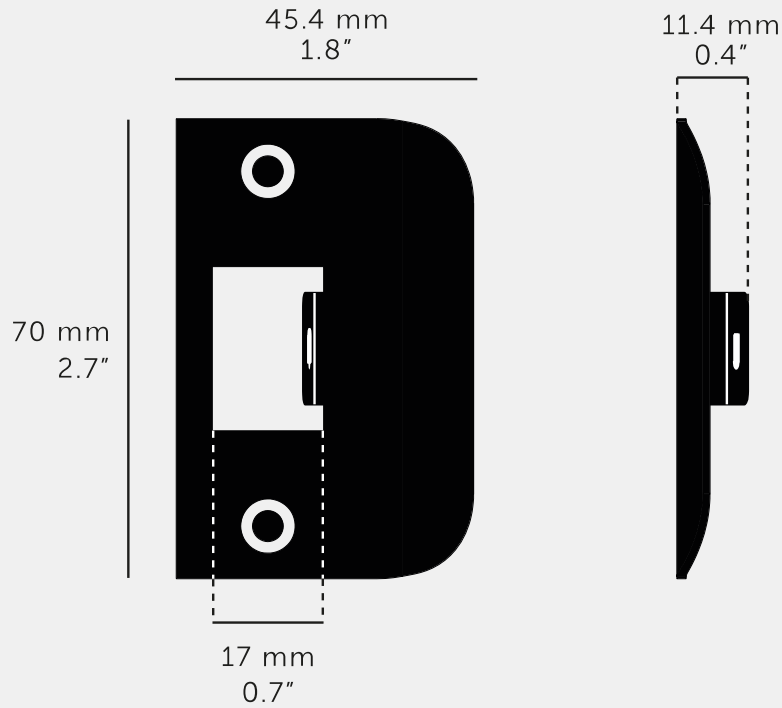
**STRIKE PLATE KIT /  
D SHAPED /  
STANDARD DOOR**

**ACTION: STRIKE PLATES**

**RANGE: STRIKE PLATES**

A solid metal strike plate designed to complement Buster + Punch door hardware and latch accessories, for a consistent feel everytime you open the door. Works great on all internal doors.






---

#### SPECIFICATIONS

---

A strike plate made from solid metal, with counter sunkscrew holes. Designed to complement Buster + Punch door hardware and latch accessories. Fits 2" doors.

---

#### INCLUDED

---

1 x 2" Strike Plate 2 x M4 x 62mm through bolts 4 x Woodscrews in matching finish

---

#### PLEASE NOTE

---

DISCLAIMER: Always consult a trade professional when installing these strike plates. Buster + Punch is not responsible for the usage or feasibility of installation requirements. This product is not suitable for damp or wet environments

---

#### FINISH & SKU NUMBERS

---

sku:	finish:	size:
UDS-021796	● black	
UDS-051794	● brass	
UDS-351798	● gun metal	
UDS-071793	● steel	

---

#### CARE INSTRUCTIONS

---

Wipe with damp cloth with no loose hairs, avoid using any chemicals. Please note all finishes are prone to aging.