

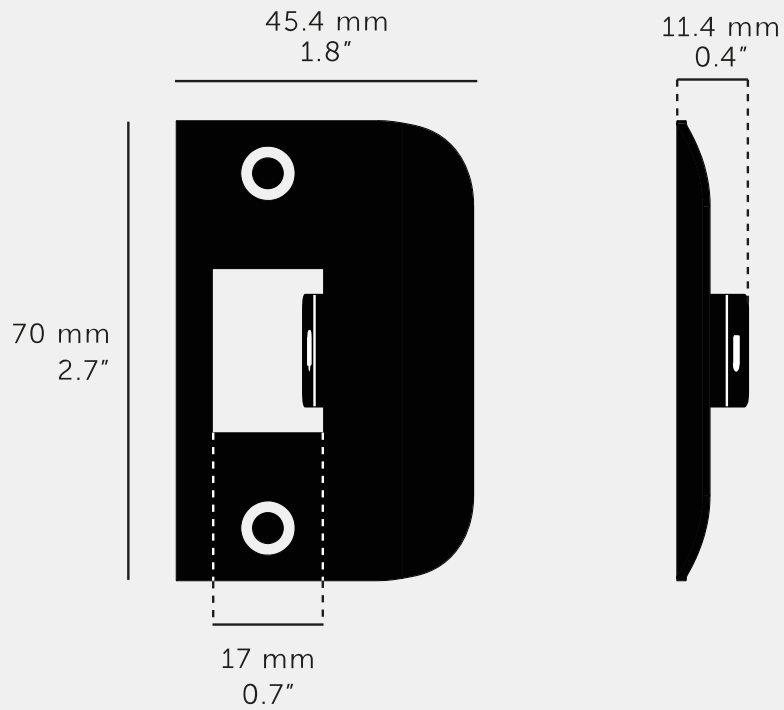
**STRIKE PLATE KIT /
D SHAPED /
STANDARD DOOR**

ACTION: STRIKE PLATES

RANGE: STRIKE PLATES

A solid metal strike plate designed to complement Buster + Punch door hardware and latch accessories, for a consistent feel everytime you open the door. Works great on all internal doors.





SPECIFICATIONS

A strike plate made from solid metal, with counter sunkscrew holes. Designed to complement Buster + Punch door hardware and latch accessories. Fits 2" doors.

INCLUDED

1 x 2" Strike Plate 2 x M4 x 62mm through bolts 4 x Woodscrews in matching finish

PLEASE NOTE

DISCLAIMER: Always consult a trade professional when installing these strike plates. Buster + Punch is not responsible for the usage or feasibility of installation requirements. This product is not suitable for damp or wet environments

FINISH & SKU NUMBERS

sku:	finish:	size:
UDS-021796	● black	
UDS-051794	● brass	
UDS-351798	● gun metal	
UDS-071793	● steel	

CARE INSTRUCTIONS

Wipe with damp cloth with no loose hairs, avoid using any chemicals. Please note all finishes are prone to aging.