

## CANDLE VESSEL

---

**ACTION: CANDLE VESSEL**

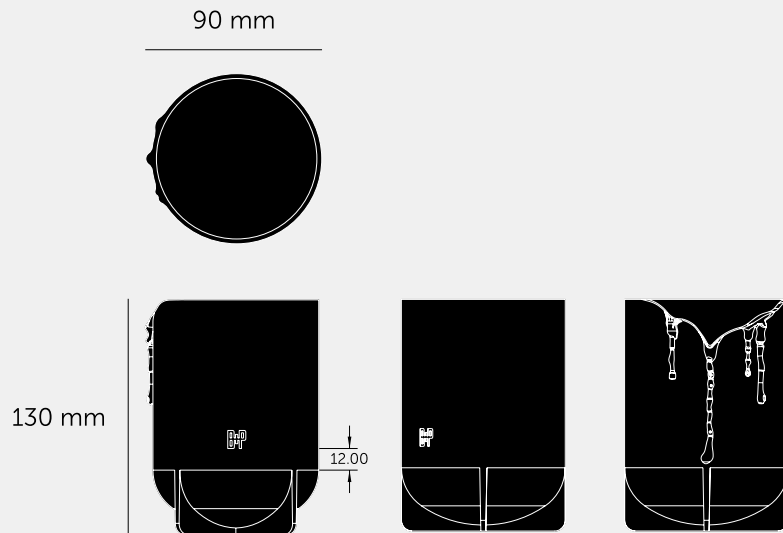
---

**RANGE: CANDLES**

---

A candle vessel made from solid precision cast metal finished in steel, and hand polished, with melting wax detail. Signed with a debossed B+P insignia. Designed to fit a 220g Buster + Punch scented candle.





---

**SPECIFICATIONS**

---

A candle vessel made from solid cast metal, hand polished and signed with a debossed B+P insignia. Fits our 220 g scented candles. Height: 130 mm  
Diameter: 90 mm

---

**INCLUDED**

---

1 X CANDLE VESSEL

---

**PLEASE NOTE**

---

---

**FINISH & SKU NUMBERS**

---

sku:	finish:	size:
UCH-072958	● steel	
UCH-052959	● brass	

---

**CARE INSTRUCTIONS**

---

Wipe with a damp cloth with no loose hairs, avoid using any chemicals. Please note all finishes age naturally with time and use. Light the tealight candle with a long safety match or safety lighter, to avoid scorching the sides of the metal candle holder with the flame.