

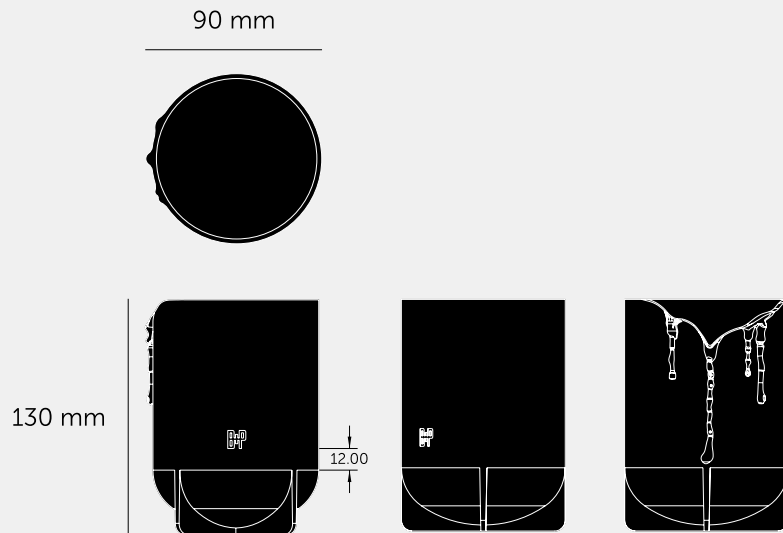
CANDLE VESSEL

ACTION: CANDLE VESSEL

RANGE: CANDLES

A candle vessel made from solid precision cast metal finished in steel, and hand polished, with melting wax detail. Signed with a debossed B+P insignia. Designed to fit a 220g Buster + Punch scented candle.





SPECIFICATIONS

A candle vessel made from solid cast metal, hand polished and signed with a debossed B+P insignia. Fits our 220 g scented candles. Height: 130 mm
Diameter: 90 mm

INCLUDED

1 X CANDLE VESSEL

PLEASE NOTE

FINISH & SKU NUMBERS

sku:	finish:	size:
UCH-072958	● steel	

CARE INSTRUCTIONS

Wipe with a damp cloth with no loose hairs, avoid using any chemicals. Please note all finishes age naturally with time and use. Light the tealight candle with a long safety match or safety lighter, to avoid scorching the sides of the metal candle holder with the flame.