

**FORKED PENDANT /
LINEAR / SHADE /
GLOBE / SMOKED /**

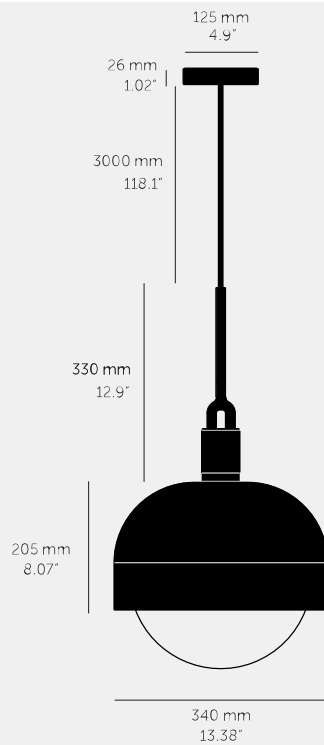
ACTION: PENDANT LIGHT

KNURL: LINEAR

RANGE: FORKED

A light pendant made from cast and machined metal, featuring our signature diamond-cut linear knurl pattern and fork detailing, refined by hand. Its shade is made from hand-spun metal and it comes with a handblown glass globe.





SPECIFICATIONS

Pendant light
 1x solid metal lamp holder
 Adjustable 3000 mm cable
 E27 / 220-240 VAC / IP20
 Max 7W
 Bulb included
 CB Certified / Class 1
 1x solid metal light shade
 1x hand-blown glass globe
 E27 compatible

The height of the pendant can be adjusted by either placing the excess cable into the cavity space or by cutting the cable shorter. When cutting the cable this must be done by a trained electrician.

FINISH & SKU NUMBERS

sku	finish	size
GFP-813094	● brass	LARGE
GFP-893124	● burnt steel	LARGE
GFP-863114	● gun metal	LARGE
GFP-833104	● steel	LARGE

INCLUDED

1 x Forked Pendant
 1 x Forked Shade
 1 x Forked Globe
 1 x Punch Bulb / Puck

PLEASE NOTE

DISCLAIMER: Always consult a trade professional when installing this product. Buster + Punch is not responsible for the usage or feasibility of installation requirements. This product is not suitable for damp or wet environments.

Any adjustment work needs to be carried out by a suitably qualified person. Any damage to the product caused by negligence, abusive use or misuse and/or any changes to the product which are not detailed in B+P instruction manuals, is explicitly excluded from the product warranty

CARE INSTRUCTIONS

Wipe with damp cloth with no loose hairs, avoid using any chemicals. All finishes are prone to ageing.