

**PULL BAR / PLATE /
LINEAR**

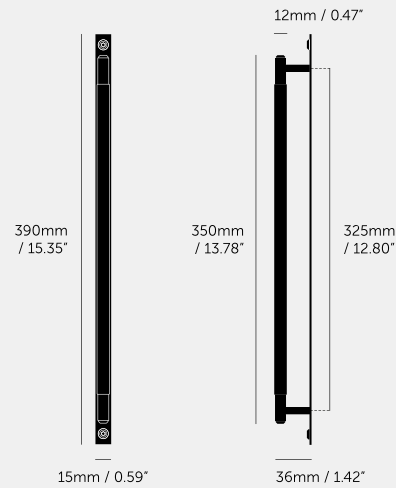
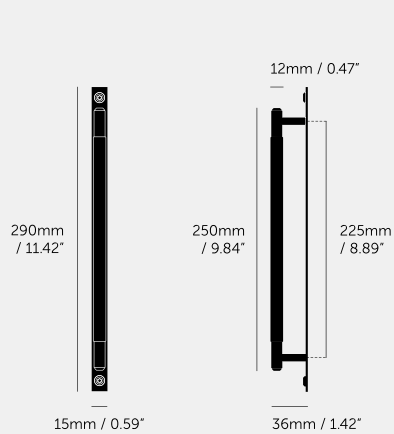
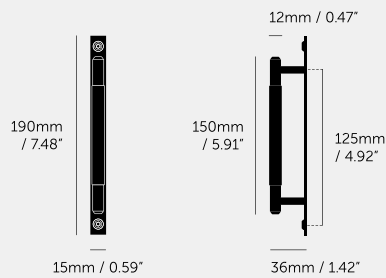
ACTION: PULL BAR

KNURL: LINEAR

RANGE: PULL BAR

A pull bar made from solid metal in small (150mm / 5.9"), medium (250mm / 9.8") and large (350mm / 13.7") sizes. These pull bars feature our signature, diamond-cut, linear knurl pattern. Comes complete with small solid metal discs. They work great on cabinet doors, wardrobe drawers, cupboards and kitchen units.





SPECIFICATIONS

Fits doors with a maximum thickness of 20mm or 25/32". For thicker doors you will need to source longer M5 screws

Pull Bar Lengths:

Small - 150mm / 5.9"

Medium - 250mm / 9.8"

Large - 350mm / 13.7"

INCLUDED

- 1 x pull bar
- 1 x back plate and torx screws
- 2 x M5 x 30mm screws
- 2 x M5 washers

PLEASE NOTE

DISCLAIMER: Always consult a trade professional when installing these pull bars. Buster + Punch is not responsible for the usage or feasibility of installation requirements. This product is not suitable for damp or wet environments.

FINISH & SKU NUMBERS

sku:	finish:	size:
GPB-02303	● black	SMALL
GPB-05301	● brass	SMALL
GPB-07300	● steel	SMALL
GPB-02308	● black	MEDIUM
GPB-05306	● smoked bronze	MEDIUM
GPB-07305	● steel	MEDIUM
GPB-02313	● black	LARGE
GPB-05311	● brass	LARGE
GPB-07310	● steel	LARGE

CARE INSTRUCTIONS

Wipe with damp cloth with no loose hairs, avoid using any chemicals. Please note all finishes are prone to aging.