

**PULL BAR / PLATE /  
CROSS**

---

**ACTION: PULL BAR**

---

**KNURL: CROSS**

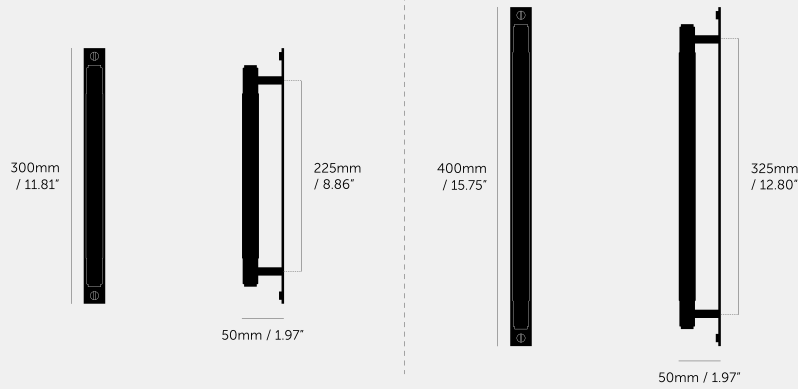
---

**RANGE: PULL BAR**

---

A pull bar made from solid metal in small (160mm / 6.3"), medium (260mm / 10.2") and large (360mm / 14.2") sizes. These pull bars feature our signature, diamond-cut, cross-knurl pattern and is refined by hand. They work great on cabinet doors, wardrobe drawers, cupboards and kitchen units





## SPECIFICATIONS

Fits doors of a maximum thickness of 20mm or 25/32". For thicker doors you will need to source longer M5 screws.

Length of Pull Bars:

Small - 160mm / 6.3"

Medium - 260mm / 10.2"

Large - 360mm / 14.2"

## INCLUDED

- 1 x pull bar
- 1 x back plate
- 2 x coin screws
- 2 x M5 x 30mm screws
- 2 x M5 washers

## PLEASE NOTE

DISCLAIMER: Always consult a trade professional when installing these pull bars. Buster + Punch is not responsible for the usage or feasibility of installation requirements. This product is not suitable for damp or wet environments.

## FINISH & SKU NUMBERS

sku	finish	size
UPB-023960	● black	SMALL
UPB-054578	● brass	SMALL
UPB-094571	● smoked bronze	SMALL
UPB-073989	● steel	SMALL
UPB-023993	● black	MEDIUM
UPB-054565	● brass	MEDIUM
UPB-453959	● smoked bronze	MEDIUM
UPB-074001	● steel	MEDIUM
UPB-024577	● black	LARGE
UPB-053984	● brass	LARGE
UPB-453992	● smoked bronze	LARGE
UPB-073965	● steel	LARGE

## CARE INSTRUCTIONS

Wipe with damp cloth with no loose hairs, avoid using any chemicals. All finishes are prone to aging.