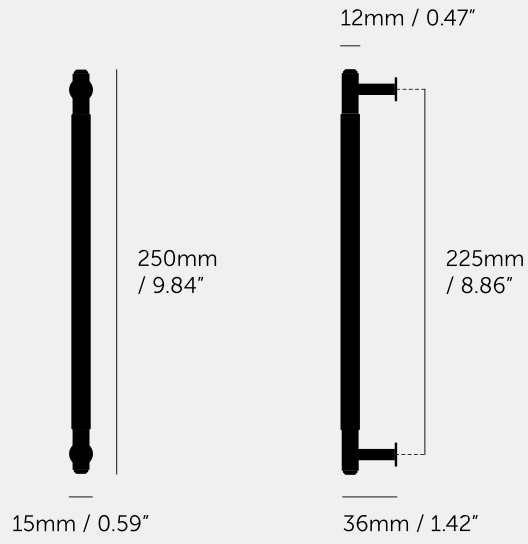


**PULL BAR / LINEAR /  
MEDIUM / PACK OF  
10 / TRADE PACK /**





---

**SPECIFICATIONS**

---

---

**INCLUDED**

---

---

**PLEASE NOTE**

---

---

**FINISH & SKU NUMBERS**

---

finish

size

---

**CARE INSTRUCTIONS**

---